



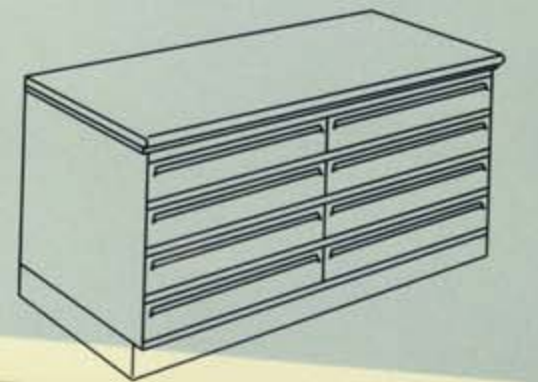
S T U R D I L I T E™



K E W A U N E E



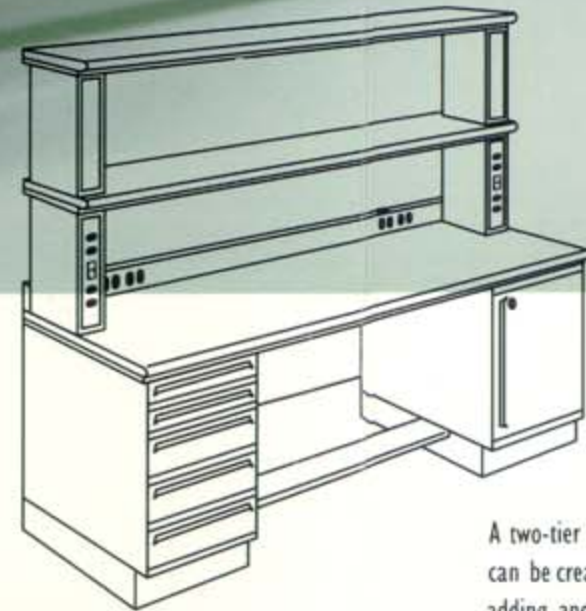
Basic workbench with pedestal legs and powered backplash.



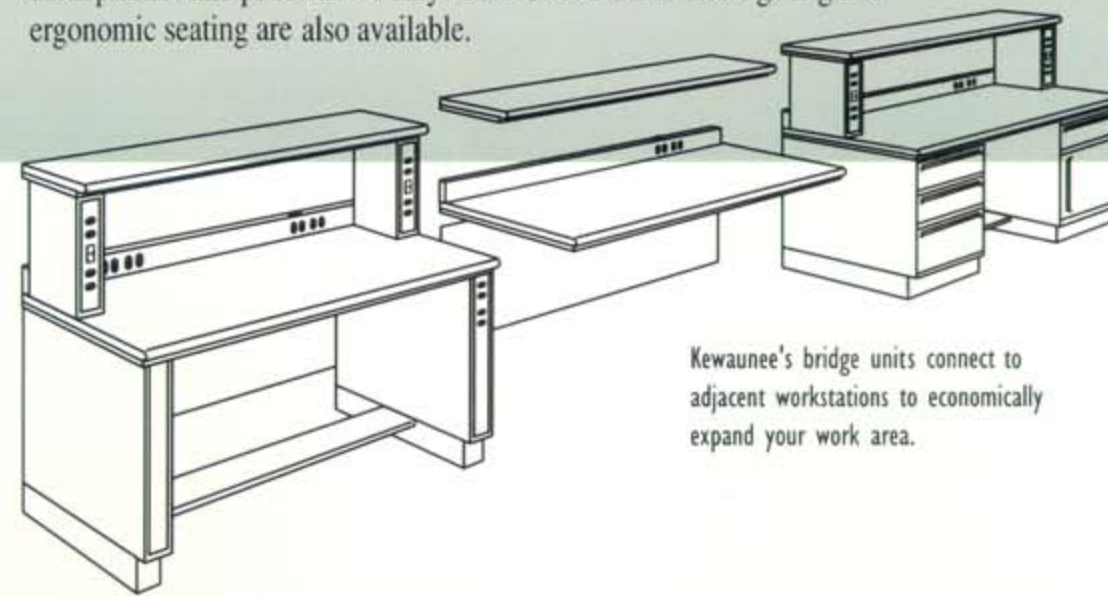
A heavy-duty storage unit is achieved by combining 2 double pedestals and a worksurface. (Can be mobile unit.)



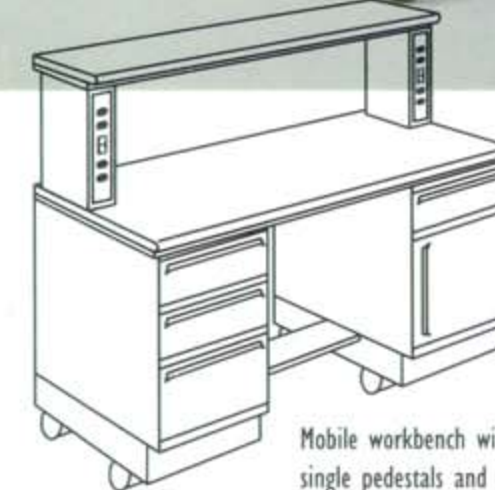
Sturdilite is a pedestal-based system with a wide variety of storage options. Front radius edge worksurfaces and shelves are offered in a multitude of widths and depths to accommodate your needs. Power can be specified in many convenient locations including shelf risers, worksurface backslashes and pedestals. Many accessories such as task lighting and ergonomic seating are also available.



A two-tier workstation can be created by adding another row of risers and a shelf.



Kewaunee's bridge units connect to adjacent workstations to economically expand your work area.



Mobile workbench with single pedestals and powered risers.

Serving the Technical Workplace Since 1906

Through on-going research and development, Sturdilite has evolved over the years to respond to the changing needs of today's professional. Kewaunee Scientific has drawn from over 80 years of experience to produce an aesthetically pleasing modular, electronic workstation designed to allow the user the ability to specify an exact combination of components - from a single bench to a complete laboratory installation.

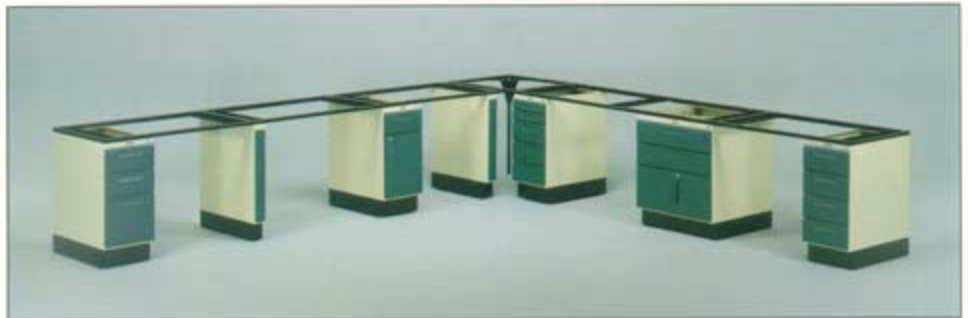
As your work requirements change, Sturdilite provides unmatched versatility. Simply attach corner or bridge worksurfaces to adjacent workstations to economically expand your work area.

Whether your application is test & measurement, engineering, clean room, research & development, electronic repair or general technical support, Sturdilite will meet the demands of your workplace.

Draw on our experience. Let Kewaunee assist you with our layout planning service.



Sturdilite's components combine to create a versatile, easy to install system.



Our tubular steel support frame is included with all worksurfaces and shelves. This frame system supports heavy loads with minimal deflection and allows additional worksurfaces to be added to or bridged between existing workstations.



Modular Sturdilite workstations are available in both technical and sit-down heights.



Features include:

- Pedestal based system with extensive power and storage options.
- Tubular steel frame to minimize deflection.
- Load bearing capacity of up to 1000 lbs.
- Worksurfaces available in a multitude of widths and depths.
- Latest in ESD control.



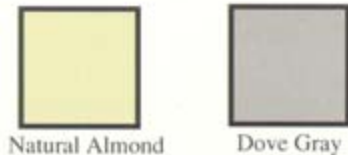
Electrostatic Discharge (ESD) is one of the most serious problems facing the electronics industry today. Sudden discharges of static electricity can result in damage to components costing billions of dollars each year.

Sturdilite offers an advanced workstation designed for the control of static electricity. All of our ESD workstations meet or exceed those standards set forth by the EOS/ESD Association.

The key to reducing ESD events and controlling product losses is a well designed ESD Control program, which encompasses the total environment from policies to product. Kewaunee offers guidance on developing and administering an effective technical workbench static control program.



STANDARD AND ESD
LAMINATE COLORS:



PAINT
COLORS:



Call
1-800-824-6626
for more information about Sturdilite.



Technical Products Group

901 FM 20
Lockhart, Texas 78644
Phone: 512/398-5292
Fax: 512/398-5104
E-mail: custsvc@kewaunee-tpg.com

5M
Printed in U.S.A.