

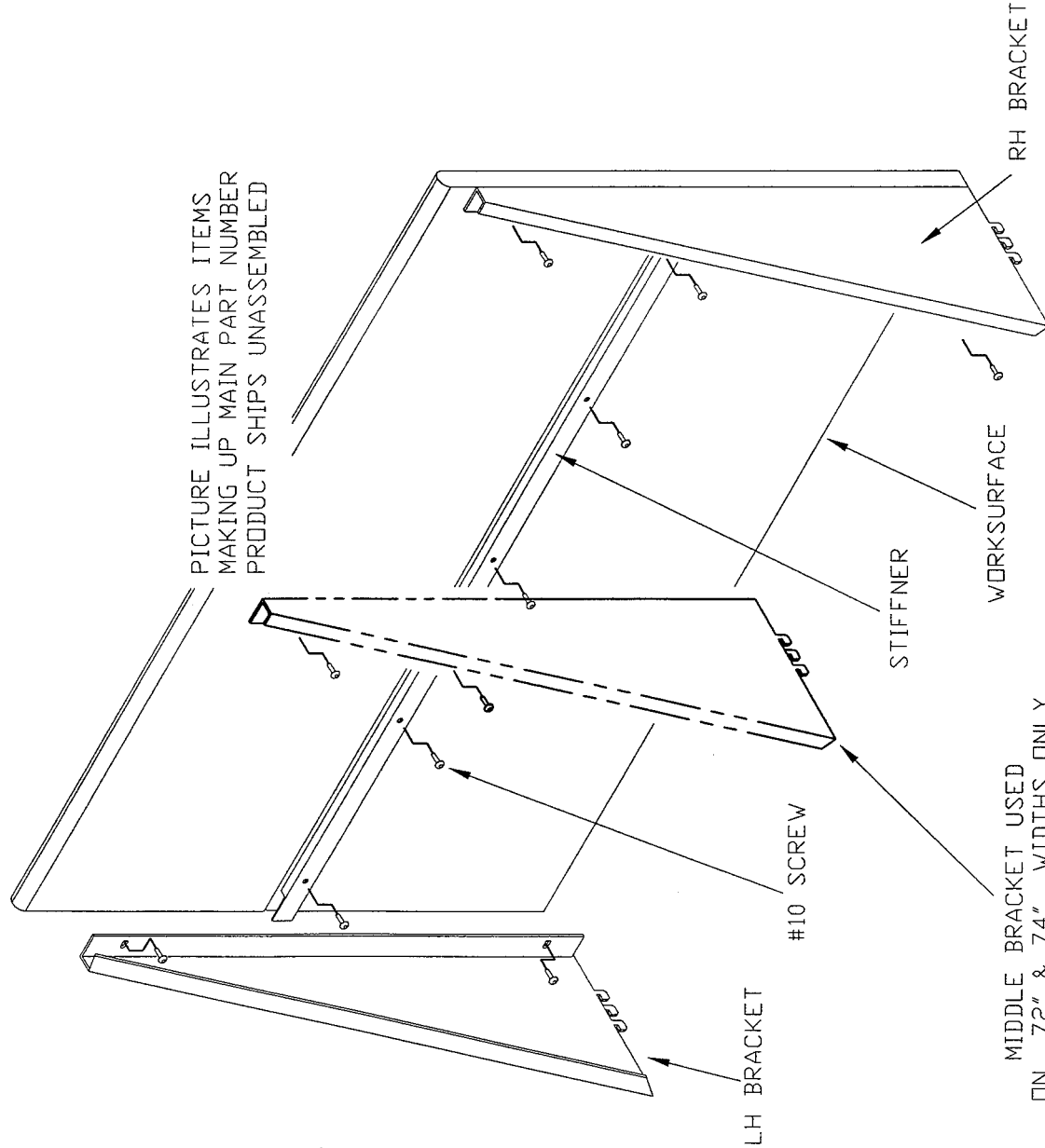


STURDIKWK WORKSURFACE ASSEMBLY ILLUSTRATION

REQUIRED TOOLS
#2 PHILLIPS SCREW DRIVER

WORKSURFACE ASSEMBLY PROCEDURES

1. INSTALL WORKSURFACE STIFFNER
2. INSTALL BRACKETS & ALIGN WITH OUTSIDE EDGE OF WORKSURFACE THEN TIGHTEN SCREWS SECURELY
3. INSTALL WORKSURFACE INTO POSITION



HARDWARE PACK IS UNIVERSAL & MAY CONTAIN FASTNERS NOT USED WITH THIS APPLICATION



STURDIKWK FRAME SYSTEM

ASSEMBLY INSTRUCTIONS

REQUIRED TOOLS - 7/16" WRENCH

ASSEMBLY PROCEDURES SINGLE CONFIGURATION

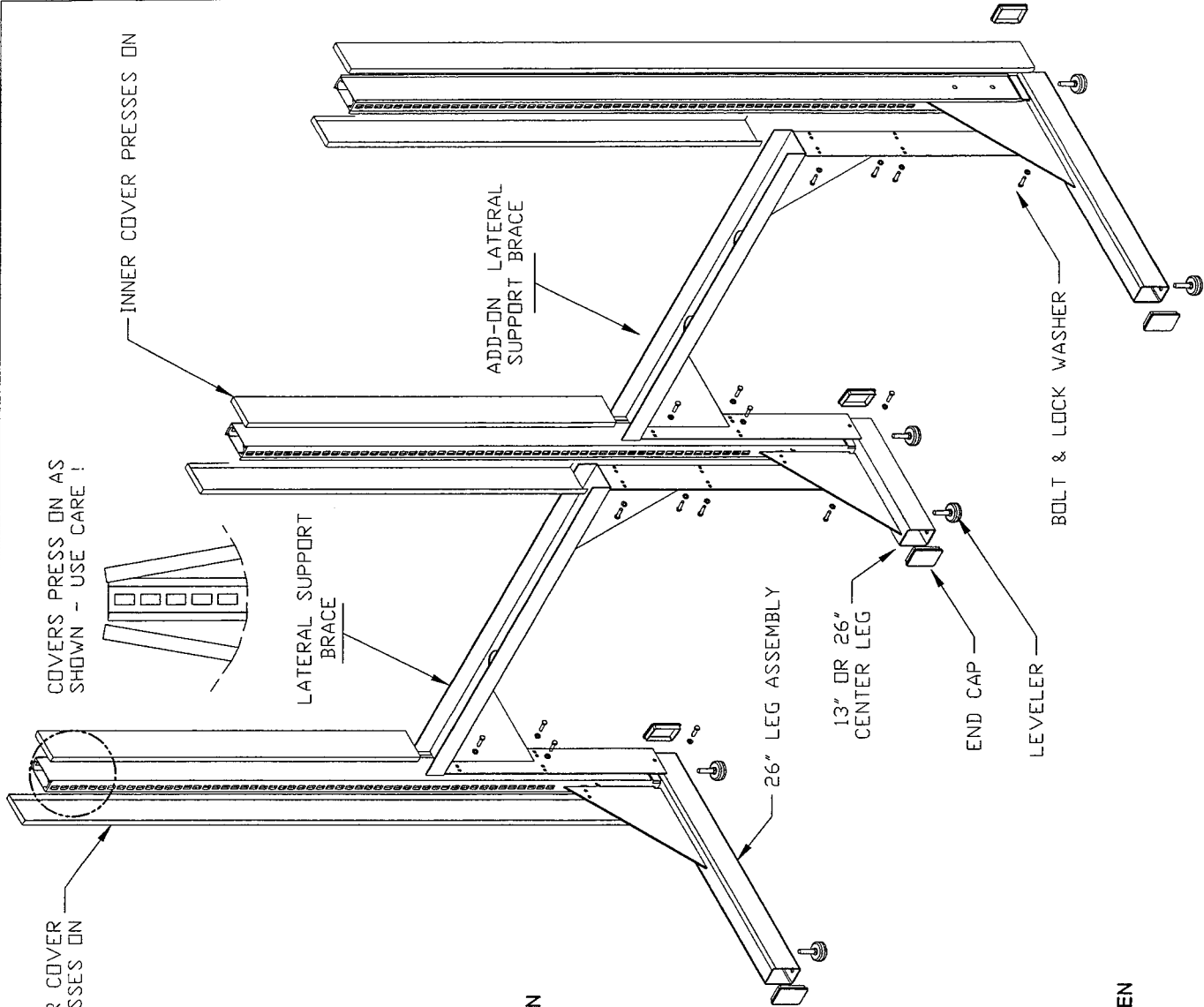
1. INSTALL LEVELERS ON LEG ASSEMBLY
2. INSTALL END CAPS ON LEG ASSEMBLY
3. FASTEN STABILIZER TO EACH LEG DO NOT OVER TIGHTEN
4. INSTALL TRIM COVERS - STARTING AT TOP OF COLUMN

ASSEMBLY PROCEDURE FOR ADD-ON CONFIGURATION

1. INSTALL LEVELERS ON LEG ASSEMBLY
2. ON THE SIDE TO BE JOINTED CAREFULLY REMOVE EXISTING COVER - STARTING AT TOP
3. FASTEN ADD-ON STABILIZER TO FREE LEG - DO NOT OVER TIGHTEN FASTENERS
4. LIFT INTO PLACE AND JOINT ASSEMBLY TO CENTER LEG
5. INSTALL TRIM COVERS STARTING AT TOP OF COLUMN

ASSEMBLY PROCEDURE FOR MULTIPLE POST CONFIGURATION

1. INSTALL LEVELERS ON LEG ASSEMBLY
2. INSTALL END CAPS ON LEG ASSEMBLY
3. FASTEN STABILIZERS TO EACH LEG DO NOT OVER TIGHTEN
4. INSTALL TRIM COVERS - STARTING AT TOP OF COLUMN



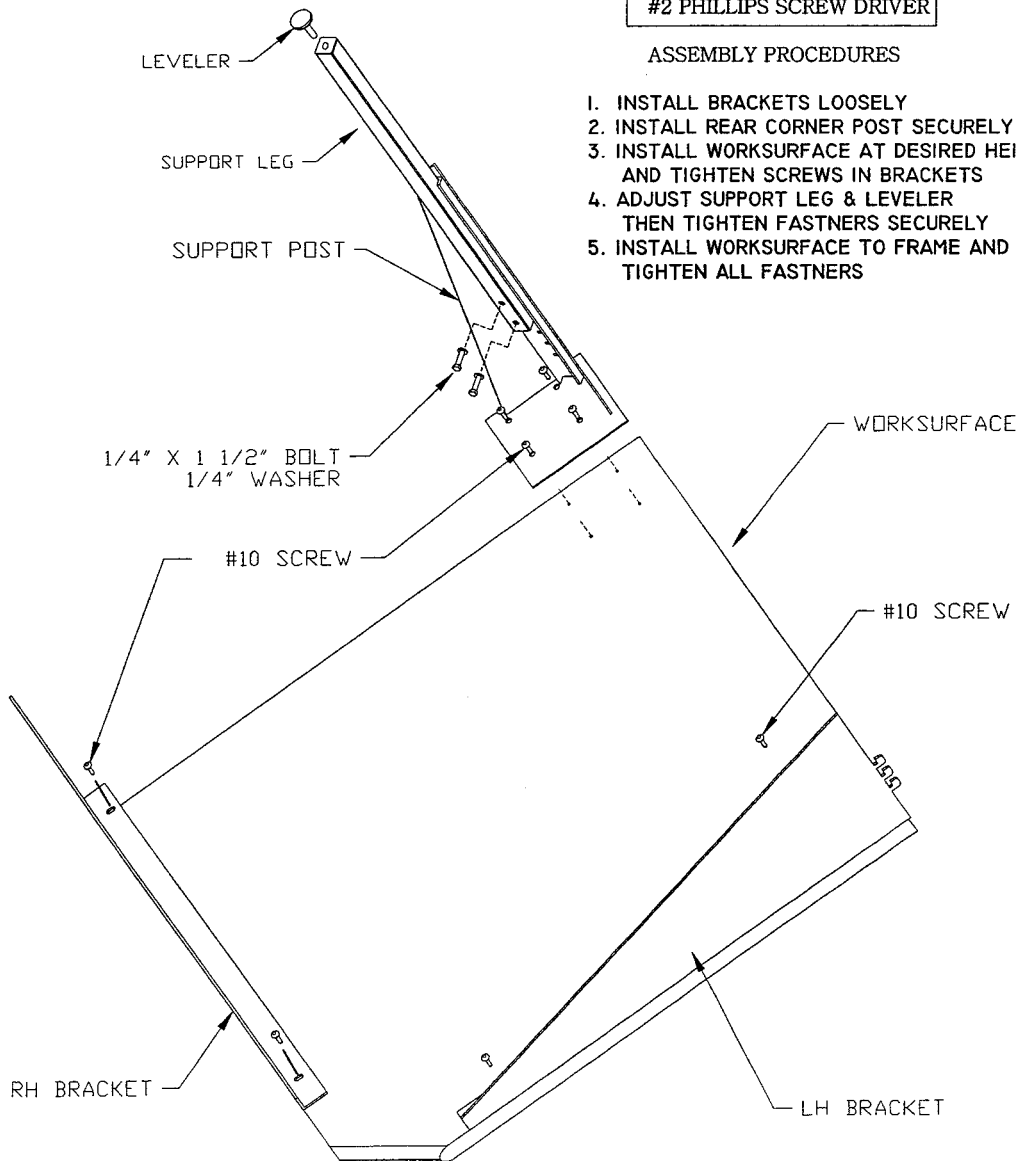


**STURDIKWIK CORNER
WORKSURFACE ASSEMBLY
ILLUSTRATION**

REQUIRED TOOLS
#2 PHILLIPS SCREW DRIVER

ASSEMBLY PROCEDURES

1. INSTALL BRACKETS LOOSELY
2. INSTALL REAR CORNER POST SECURELY
3. INSTALL WORKSURFACE AT DESIRED HEIGHT AND TIGHTEN SCREWS IN BRACKETS
4. ADJUST SUPPORT LEG & LEVELER THEN TIGHTEN FASTNERS SECURELY
5. INSTALL WORKSURFACE TO FRAME AND TIGHTEN ALL FASTNERS





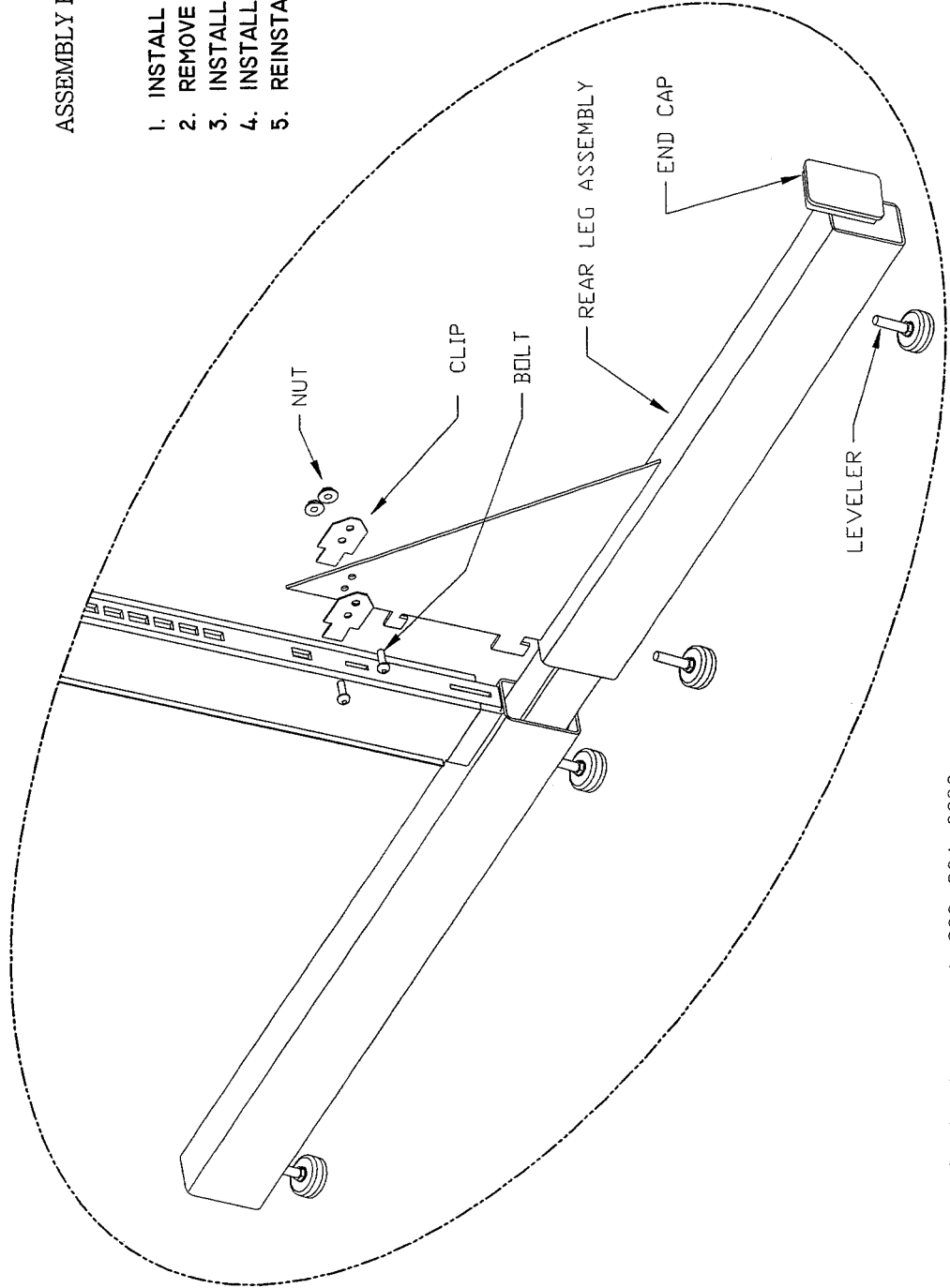
STURDIKWIK - REAR LEG

ASSEMBLY INSTRUCTIONS

REQUIRED TOOLS - (2) 7/16" WRENCHES

ASSEMBLY PROCEDURES FOR REAR LEG INSTALLATION

1. INSTALL LEVELERS ON REAR LEG ASSEMBLY
2. REMOVE END CAP FROM BACK OF COLUMN LEG
3. INSTALL REAR LEG ASSEMBLY AS SHOWN
4. INSTALL & SECURE CLIPS IN PLACE AS SHOWN
5. REINSTALL END CAP & ADJUST LEVELERS

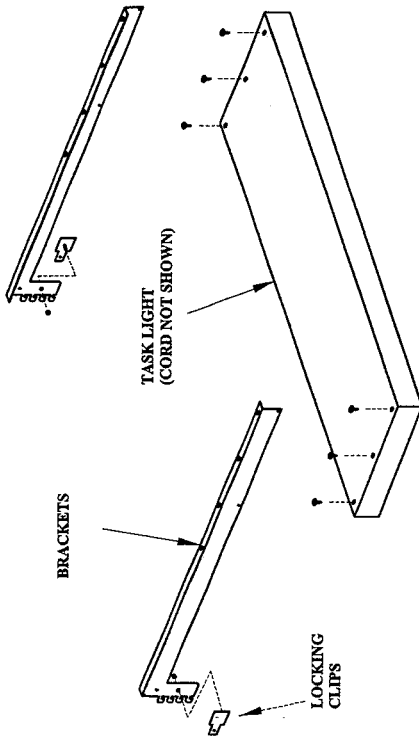




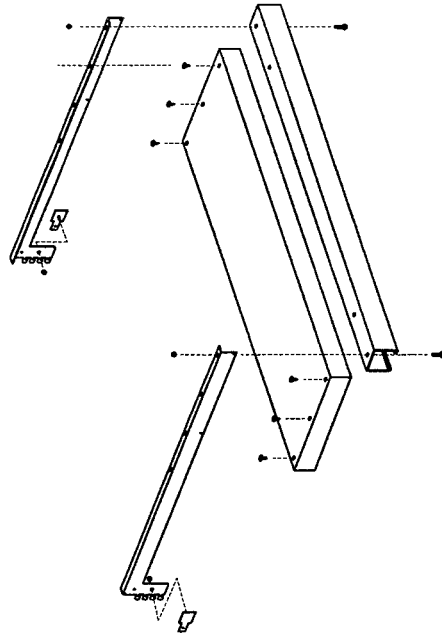
TASK LIGHT / TOOL BAR

ASSEMBLY INSTRUCTIONS

1. INSTALL BRACKETS INTO UPRIGHTS AT DESIRED HEIGHT, WITH LOCKING CLIPS.
2. INSERT 6 SCREWS HALFWAY INTO TOP OF TASK LIGHT.
3. RAISE LIGHT TO DESIRED POSITION, INSERTING SCREWS INTO HOLES IN BRACKETS.
4. PUSH THE TASK LIGHT BACK, AND TIGHTEN SCREWS SECURELY.
5. SECURE POWER CORD WITH CABLE TIE(S).



TASK LIGHT W/ TOOL BAR

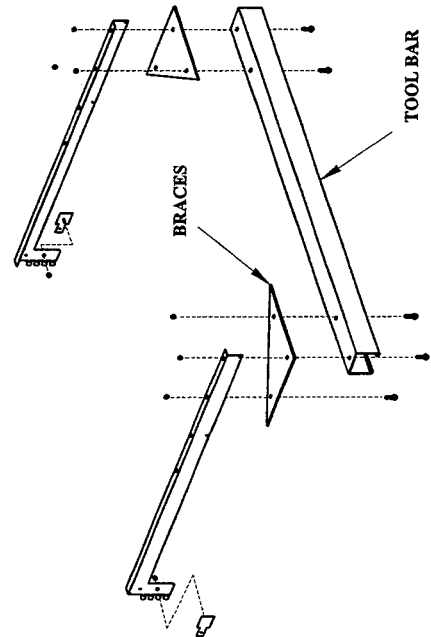


1. INSTALL BRACKETS INTO UPRIGHTS AT DESIRED HEIGHT, WITH LOCKING CLIPS.
2. INSTALL THE TASK LIGHT, AS SHOWN AT LEFT, IN THE REAR POSITION.
3. INSTALL THE TOOL BAR, AS SHOWN AT LEFT, IN THE FORWARD POSITION. LEAVE OUT THE BRACES IN THIS APPLICATION.

TASK LIGHT ONLY

TOOL BAR ONLY

1. INSTALL BRACKETS INTO UPRIGHTS AT DESIRED HEIGHT, WITH LOCKING CLIPS.
2. INSERT TROLLEY (NOT SHOWN) INTO TOOL BAR CHANNEL.
3. INSERT 6 BOLTS FROM BELOW THRU CHANNEL, BRACES, AND BRACKETS. ADD NUTS AND TIGHTEN SECURELY.

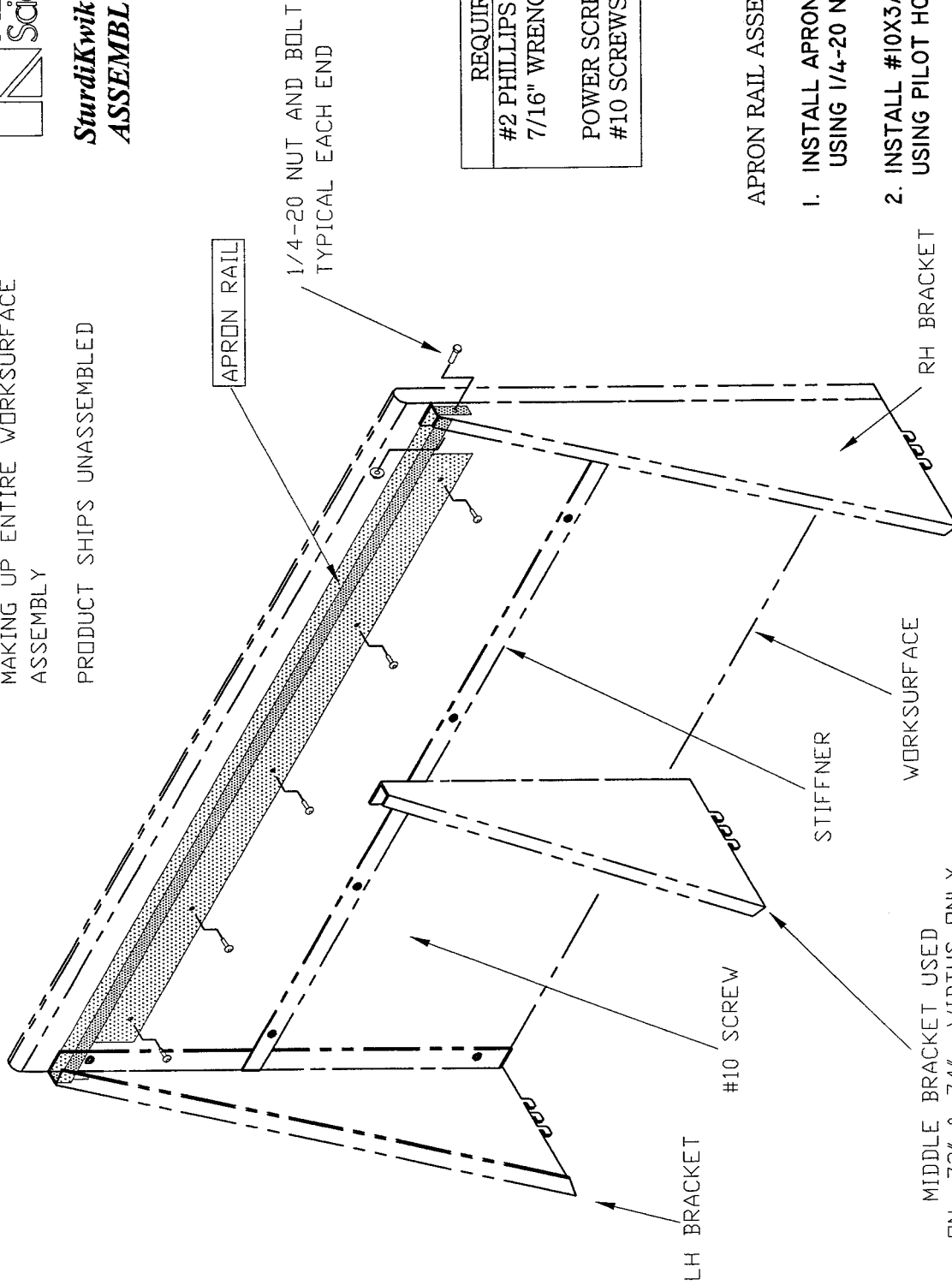




**SturdiKwik APRON RAIL
ASSEMBLY ILLUSTRATION**

PICTURE ILLUSTRATES ITEMS
MAKING UP ENTIRE WORKSURFACE
ASSEMBLY

PRODUCT SHIPS UNASSEMBLED



REQUIRED TOOLS
#2 PHILLIPS SCREW DRIVER 7/16" WRENCH
POWER SCREW DRIVER FOR #10 SCREWS

APRON RAIL ASSEMBLY PROCEDURES

1. INSTALL APRON RAIL TO OUTER BRACKETS USING 1/4-20 NUTS AND BOLTS
 2. INSTALL #10X3/4" SCREWS INTO WORKSURFACE USING PILOT HOLES IN RAIL FLANGE
- TIGHTEN SCREWS SECURELY**

MIDDLE BRACKET USED
ON 72" & 74" WIDTHS ONLY