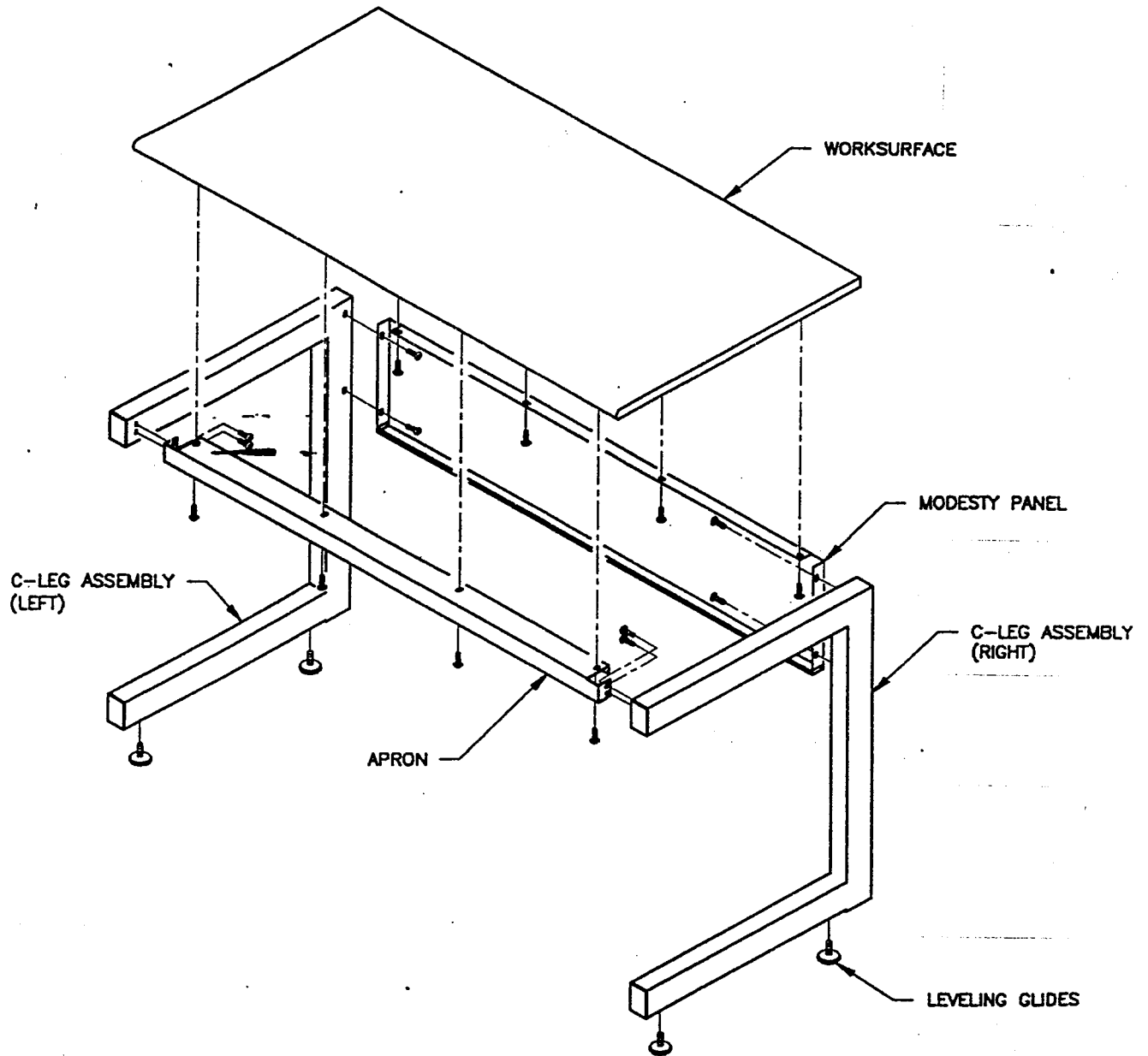


# INSTALLATION INSTRUCTIONS



## ASSEMBLY:

- INSERT TWO 5/16-18 THD. LEVELING GLIDES IN EACH LEG.
- ATTACH EACH LEG ASSEMBLY TO MODESTY PANEL USING 1/4-20 PHILLIPS HEAD SCREWS.
- ATTACH EACH LEG ASSEMBLY TO APRON USING 1/4-20 PHILLIPS HEAD SCREWS.
- SET WORKSURFACE ON LEGS. ALIGN HOLES IN APRON AND MODESTY PANEL WITH INSERTS IN BOTTOM OF WORKSURFACE.
- ATTACH WORKSURFACE USING 1/4-20 PHILLIPS HEAD SCREWS. TIGHTEN ALL SCREWS.
- LEVEL BENCH BY ADJUSTING LEVELING GLIDES.

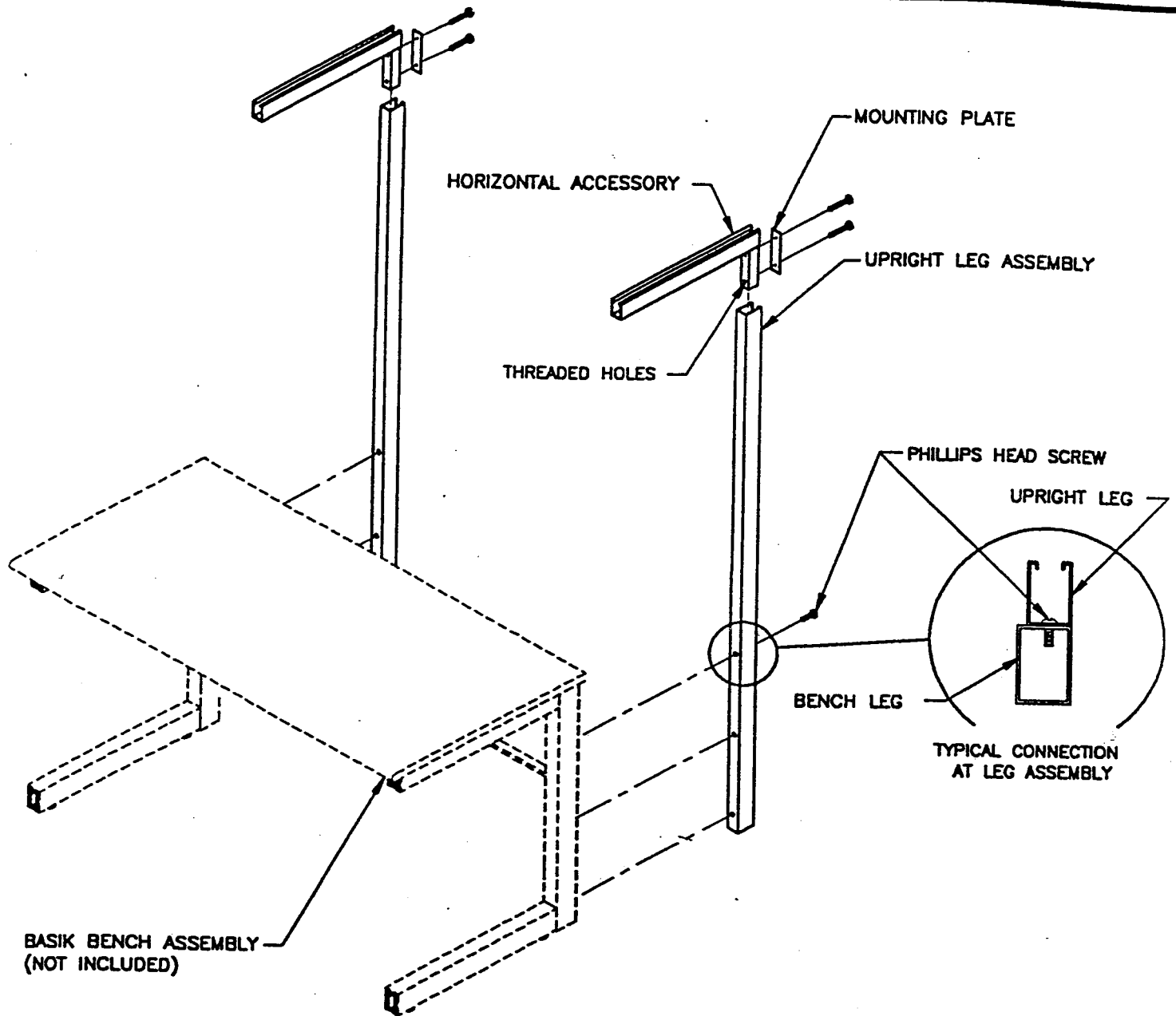
## BASIC ASSEMBLY INCLUDES:

- (1) LEFT C-LEG ASSEMBLY
- (1) RIGHT C-LEG ASSEMBLY
- (1) APRON
- (1) MODESTY PANEL
- (1) WORKSURFACE WITH THREADED METAL INSERTS
- (1) HARDWARE PACK

## RECOMMENDED TOOLS:

- SCREWDRIVER (PHILLIPS TYPE)
- LEVEL

# INSTALLATION INSTRUCTIONS



## ASSEMBLY:

- ALIGN HOLES IN MOUNTING PLATE WITH THREADED HOLES IN HORIZONTAL ACCESSORY. SCREW IN HEX HEAD BOLT ENOUGH TO HOLD MOUNTING BRACKET IN PLACE.
- SLIDE HORIZONTAL ACCESSORY INTO CHANNEL OF UPRIGHT LEG ASSEMBLY. TIGHTEN BOLTS UNTIL SNUG. DO NOT OVERTIGHTEN.
- ALIGN HOLES IN UPRIGHT LEG ASSEMBLY WITH THREADED HOLES IN BASIK BENCH ASSEMBLY LEG.
- INSERT THREE PHILLIPS HEAD SCREWS. TIGHTEN SCREWS.

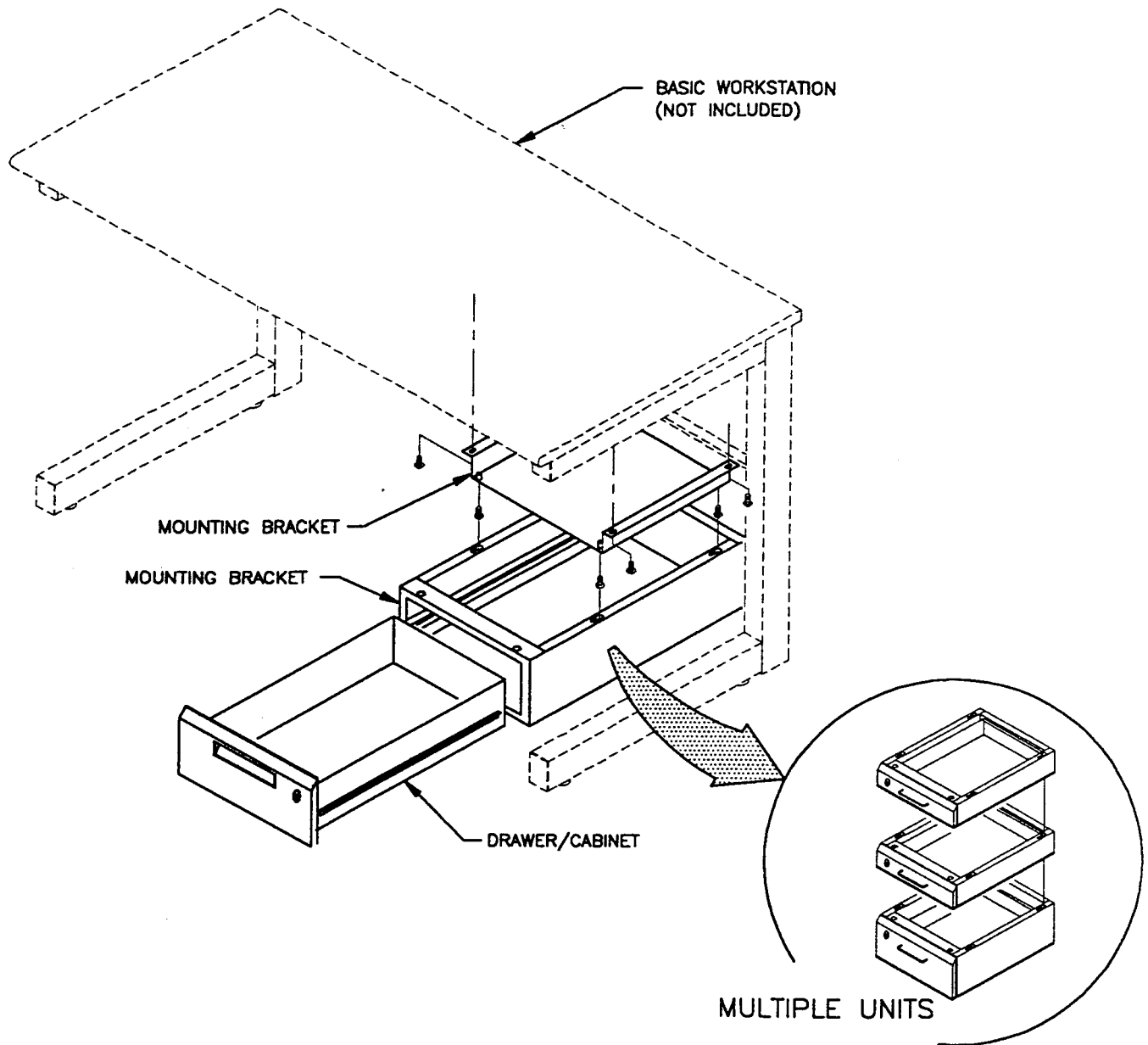
## UPRIGHT ASSEMBLY INCLUDES:

- (2) UPRIGHT LEG ASSEMBLIES
- (2) HORIZONTAL ACCESSORY UPRIGHTS
- (2) MOUNTING PLATES
- (4) BOLTS, 1/4-20 x 2" HEX HEAD
- (6) SCREW, 1/4-20 x 3/4" PHILLIP HEAD

## RECOMMENDED TOOLS:

- SCREWDRIVER (PHILLIPS TYPE)
- 7/16 OPEN END WRENCH

# INSTALLATION INSTRUCTIONS



## ASSEMBLY INSTRUCTIONS:

- o ATTACH MOUNTING BRACKET TO BOTTOM OF WORKSURFACE USING FOUR 1/4-20 SCREWS AS SHOWN. TIGHTEN SCREWS. PARTIALLY THREAD ANOTHER FOUR 1/4-20 SCREWS INTO THE THREADED INSERTS IN THE MOUNTING BRACKET.
- o REMOVE DRAWER FROM FRAME ENCLOSURE. LIFT FRAME UP TO PARTIALLY INSTALLED SCREWS IN MOUNTING BRACKET. SLIDE SCREWS INTO KEYHOLE SLOTS AND PUSH FRAME REARWARD UNTIL FLUSH WITH WORKSURFACE APRON. TIGHTEN SCREWS
- o REPLACE DRAWER IN DRAWER ENCLOSURE.

NOTE: THREADED INSERTS ARE PROVIDED IN BOTTOM OF DRAWER ENCLOSURES FOR MULTIPLE UNIT CONFIGURATION.

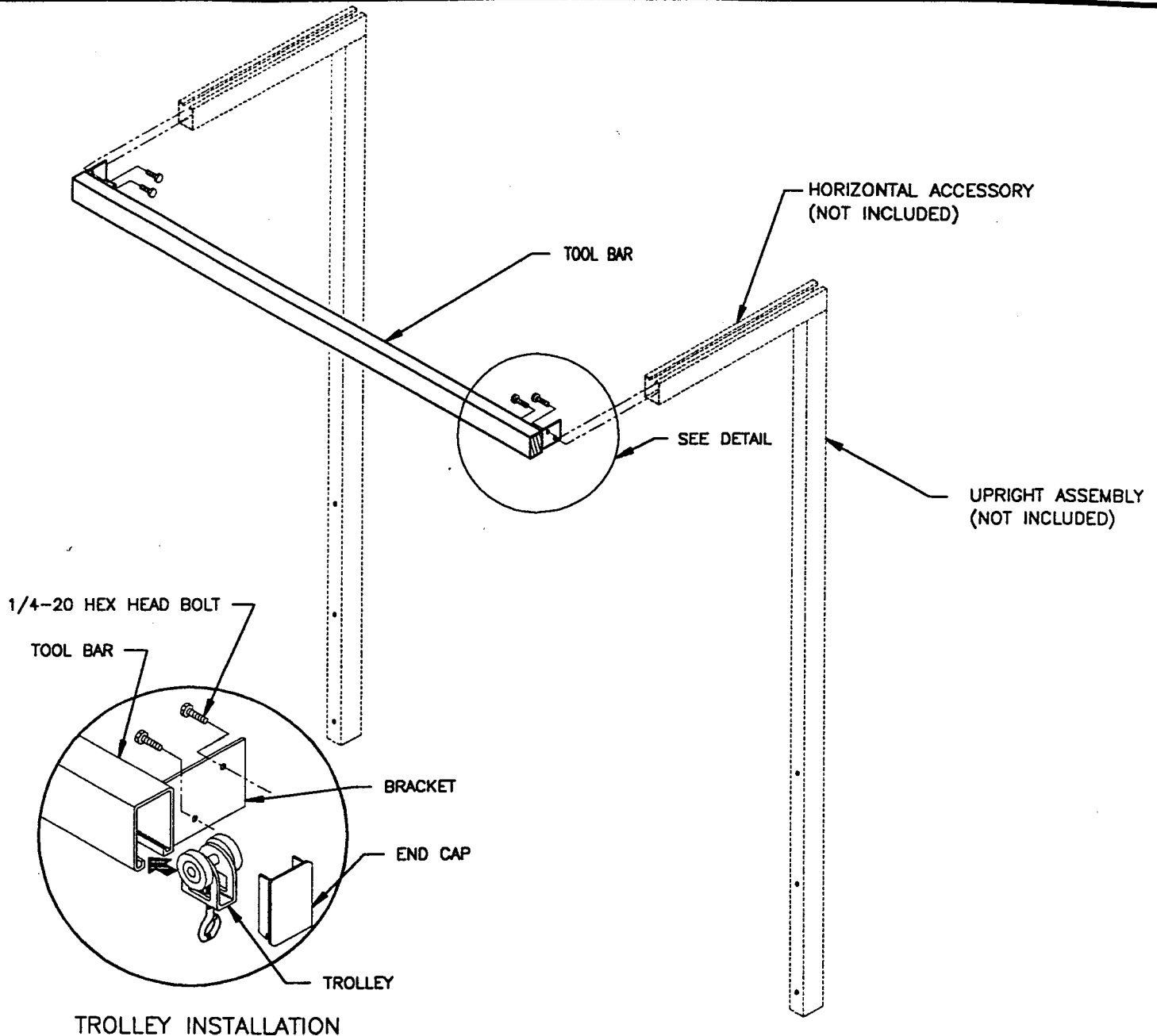
## HANGING DRAWER/CABINET ASSEMBLY

- (1) HANGING DRAWER OR CABINET
- (1) MOUNTING BRACKET
- (8) SCREWS, 1/4-20 x 3/4 PHILLIP HEAD

## RECOMMENDED TOOLS:

- o SCREWDRIVER (PHILLIPS TYPE)

# INSTALLATION INSTRUCTIONS



## ASSEMBLY INSTRUCTIONS:

- REMOVE END CAPS, FROM HORIZONTAL ACCESSORY.
- SCREW HEX HEAD BOLTS INTO THREADED HOLES OF BRACKET ON TOOL BAR ENOUGH TO HOLD THEM IN PLACE.
- INSERT BRACKET INTO ENDS OF HORIZONTAL ACCESSORY.
- TIGHTEN BOLTS UNTIL SNUG. DO NOT OVERTIGHTEN.
- INSTALL TROLLEY INTO THE TOOL BAR.
- INSTALL END CAPS TO THE TOOL BAR.

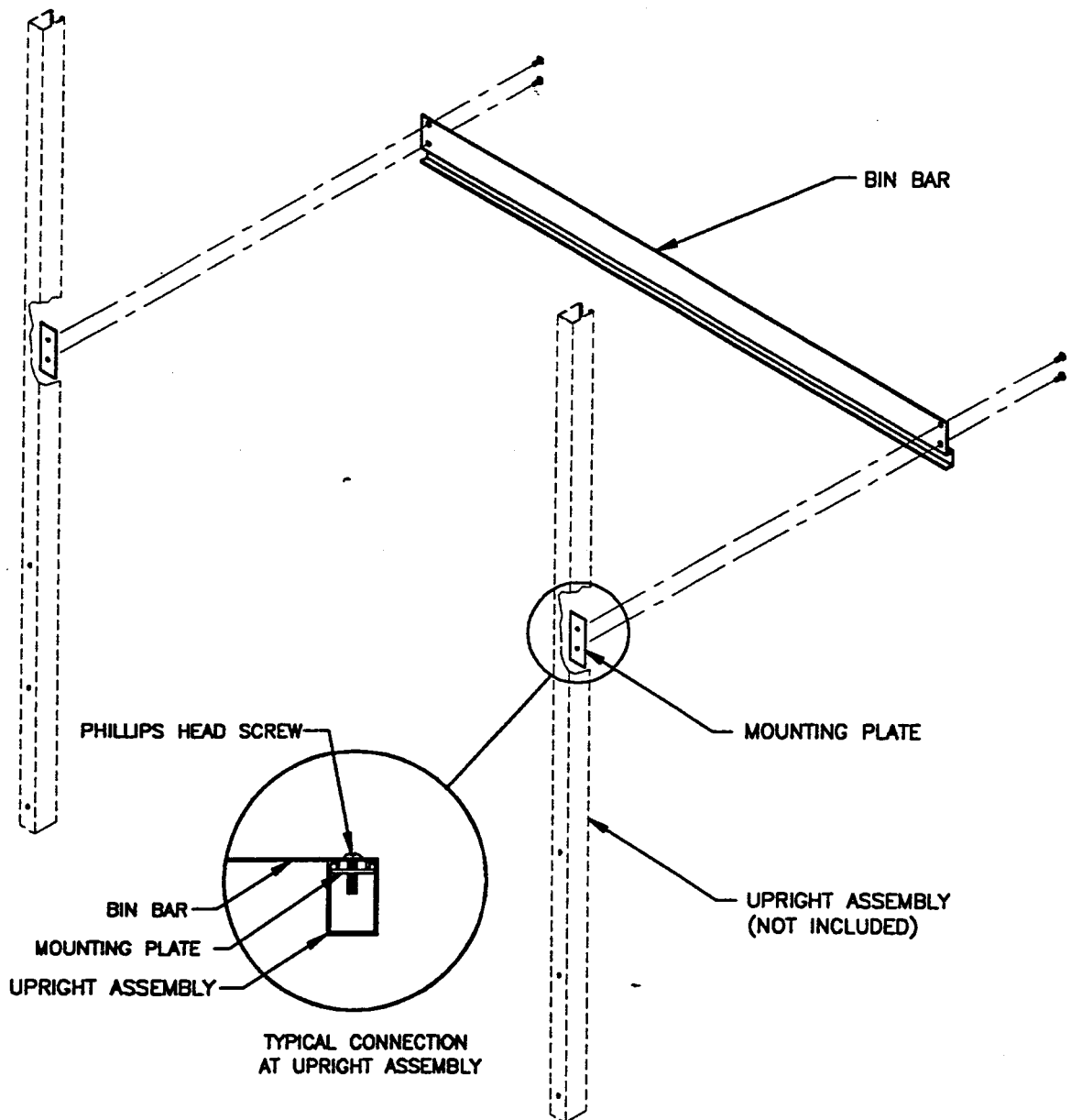
## TOOLBAR ASSEMBLY INCLUDES:

- (1) TOOL BAR ASSEMBLY
- (4) BOLT, 1/4-20 x 1/2 HEX HEAD

## RECOMMENDED TOOLS:

- 7/16" OPEN END WRENCH

# INSTALLATION INSTRUCTIONS



## ASSEMBLY:

- PLACE MOUNTING PLATE INSIDE CHANNEL OF UPRIGHT ASSEMBLY.
- ATTACH BIN BAR TO MOUNTING PLATE TO UPRIGHT ASSEMBLY USING PHILLIP HEAD SCREWS.
- ADJUST BIN BAR TO DESIRED HEIGHT AND TIGHTEN SCREWS. DO NOT OVERTIGHTEN.

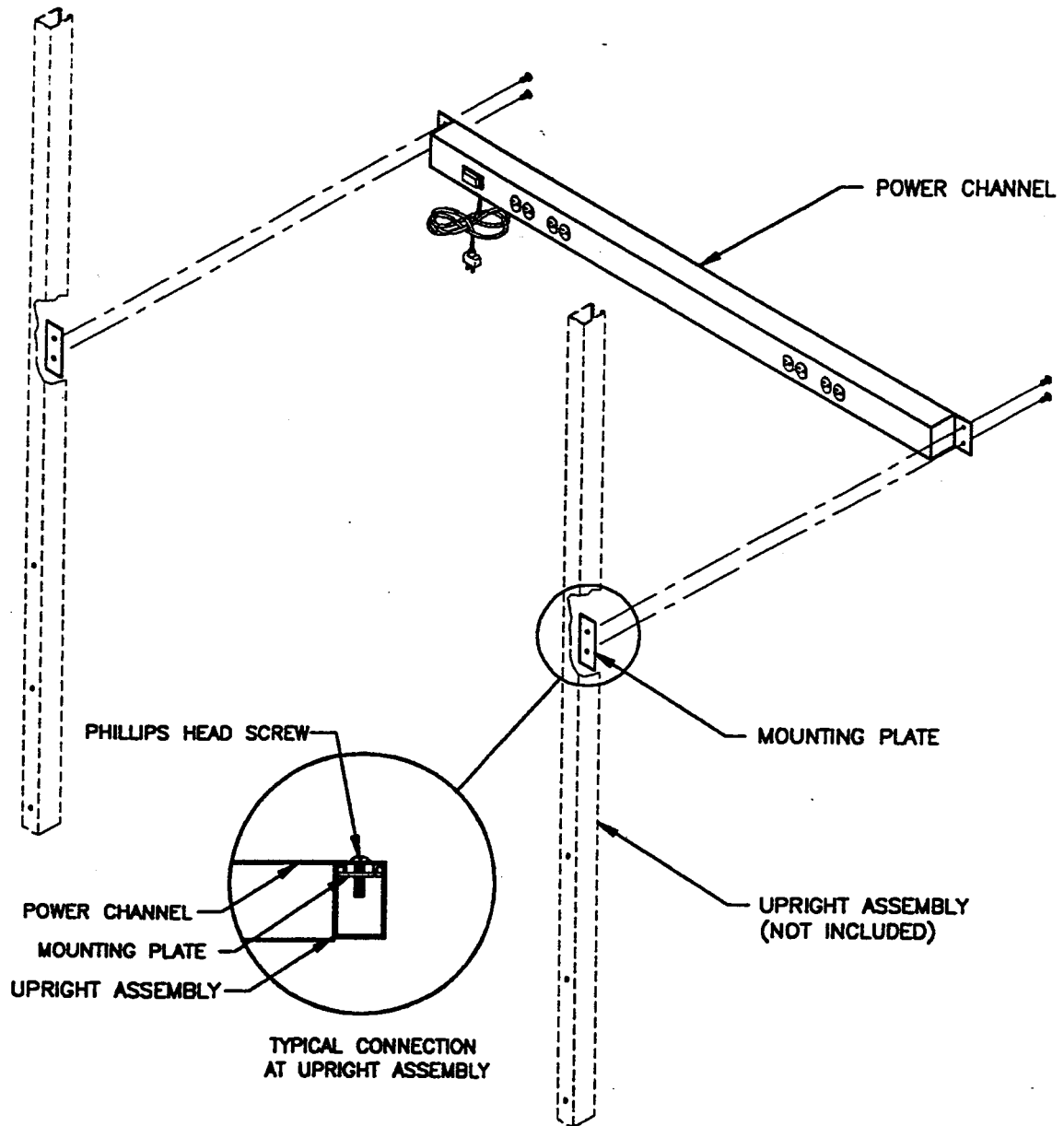
## BIN BAR ASSEMBLY INCLUDES:

- (1) BIN BAR ASSEMBLY
- (4) SCREW, 1/4-20 x 3/4" PHILLIP HEAD
- (2) MOUNTING PLATE

## RECOMMENDED TOOLS:

- SCREWDRIVER (PHILLIPS TYPE)

# INSTALLATION INSTRUCTIONS



## ASSEMBLY:

- PLACE MOUNTING PLATE INSIDE CHANNEL OF UPRIGHT ASSEMBLY.
- ATTACH POWER CHANNEL TO MOUNTING PLATE UPRIGHT ASSEMBLY USING PHILLIPS HEAD SCREWS.
- ADJUST POWER CHANNEL TO DESIRED HEIGHT AND TIGHTEN SCREWS. DO NOT OVERTIGHTEN.

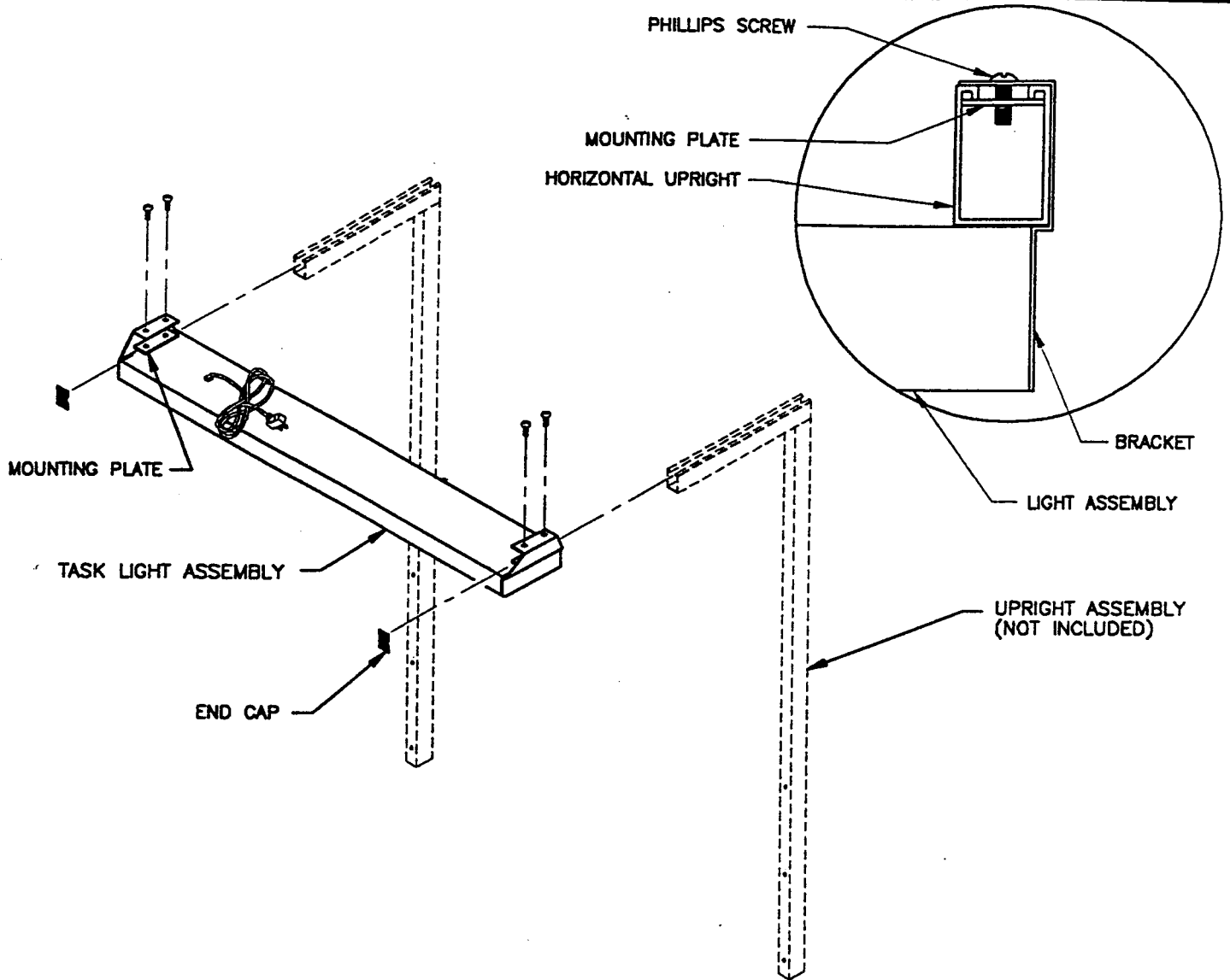
## POWER CHANNEL ASSEMBLY INCLUDES:

- (1) POWER CHANNEL ASSEMBLY
- (4) SCREW, 1/4-20 x 3/4" PHILLIP HEAD
- (2) MOUNTING PLATE

## RECOMMENDED TOOLS:

- SCREWDRIVER (PHILLIPS TYPE)

# INSTALLATION INSTRUCTIONS



## ASSEMBLY:

- REMOVE END CAPS.
- INSERT PHILLIPS SCREWS THRU HOLE IN THE LIGHT BRACKET. SCREW INTO THREADED HOLES IN THE MOUNTING PLATE A FEW TURNS.
- SLIDE LIGHT ASSEMBLY, WITH THE PLATE, INSIDE THE CHANNEL OF THE HORIZONTAL UPRIGHT.
- ADJUST LIGHT TO DESIRED HORIZONTAL POSITION. TIGHTEN SCREWS. DO NOT OVERTIGHTEN.

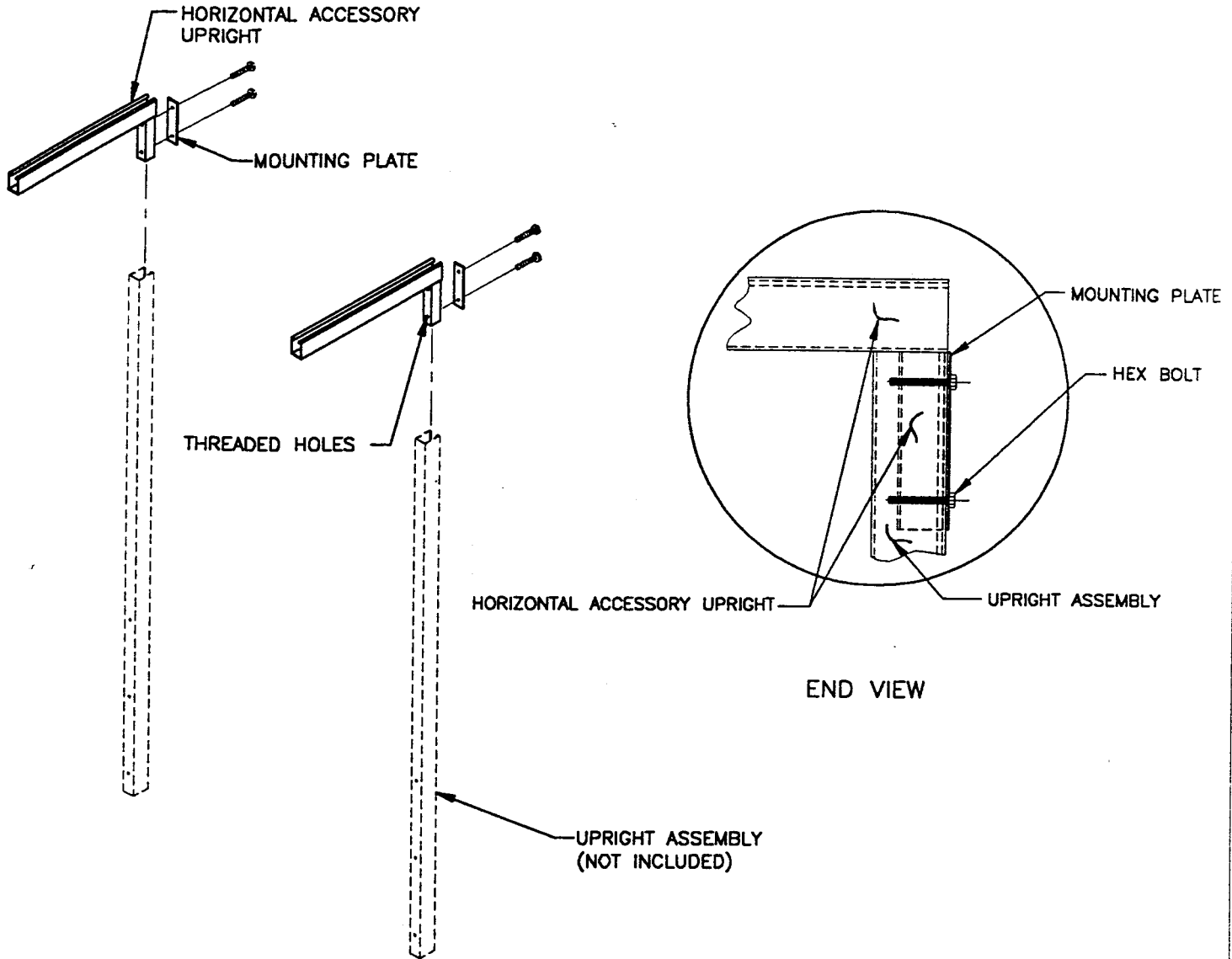
## TASK LIGHT ASSEMBLY INCLUDES:

- (1) TASK LIGHT
- (2) MOUNTING BRACKETS
- (4) 1/4-20 x 3/4 PHILLIPS SCREW

## RECOMMENDED TOOLS:

- SCREWDRIVER (PHILLIPS TYPE)

# INSTALLATION INSTRUCTIONS



## ASSEMBLY:

- ALIGN HOLES IN MOUNTING PLATE WITH THREADED HOLES IN SUPPORT. SCREW IN HEX HEAD BOLTS ENOUGH TO HOLD MOUNTING PLATE IN PLACE.
- SLIDE HORIZONTAL SUPPORT INTO CHANNEL OF UPRIGHT. TIGHTEN BOLTS UNTIL SNUG. DO NOT OVERTIGHTEN.

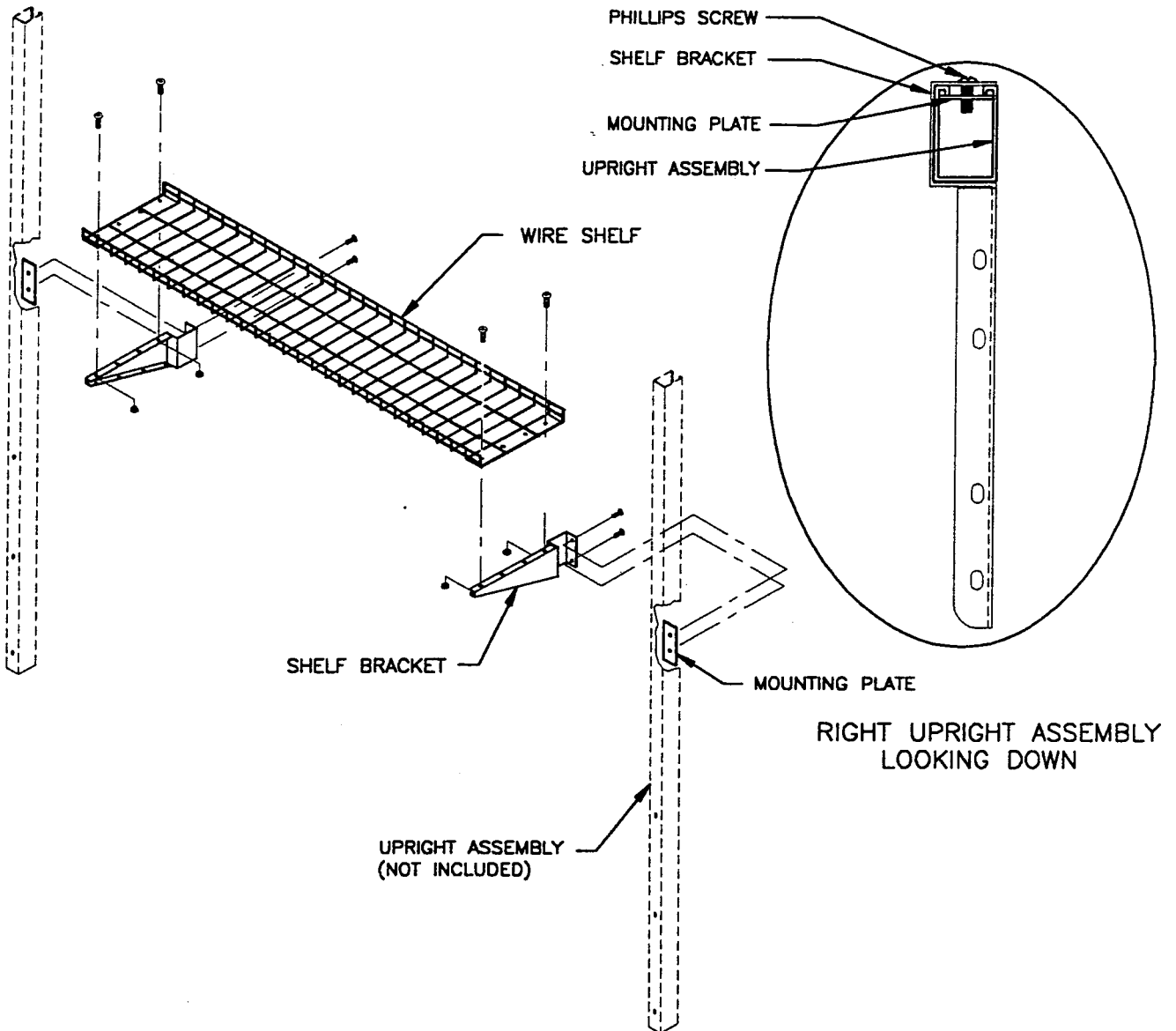
## HORIZONTAL ACCESSORY UPRIGHT KIT INCLUDES:

- (2) HORIZONTAL ACCESSORY UPRIGHT
- (4) BOLT, 1/4-20 x 2" HEX HEAD
- (2) MOUNTING PLATE

## RECOMMENDED TOOLS:

- 7/16 OPEN END WRENCH

# INSTALLATION INSTRUCTIONS



## ASSEMBLY:

- o NOTE: SHELF MAY BE INSTALLED LEVEL (AS SHOWN) OR AT A SLANT BY TURNING BRACKETS OVER AND MOVING TO THE OPPOSITE SIDE.
- o PLACE MOUNTING PLATE INSIDE CHANNEL OF UPRIGHT ASSEMBLY.
- o ATTACH SHELF BRACKET TO MOUNTING PLATE IN UPRIGHT ASSEMBLY USING PHILLIP HEAD SCREWS.
- o ADJUST BRACKETS TO DESIRED HEIGHT AND TIGHTEN SCREWS. DO NOT OVERTIGHTEN.
- o PLACE SHELF ON SHELF BRACKETS AND ALIGN HOLES. ATTACH WIRE SHELF TO BRACKETS WITH PHILLIP HEAD SCREWS AND NUTS.

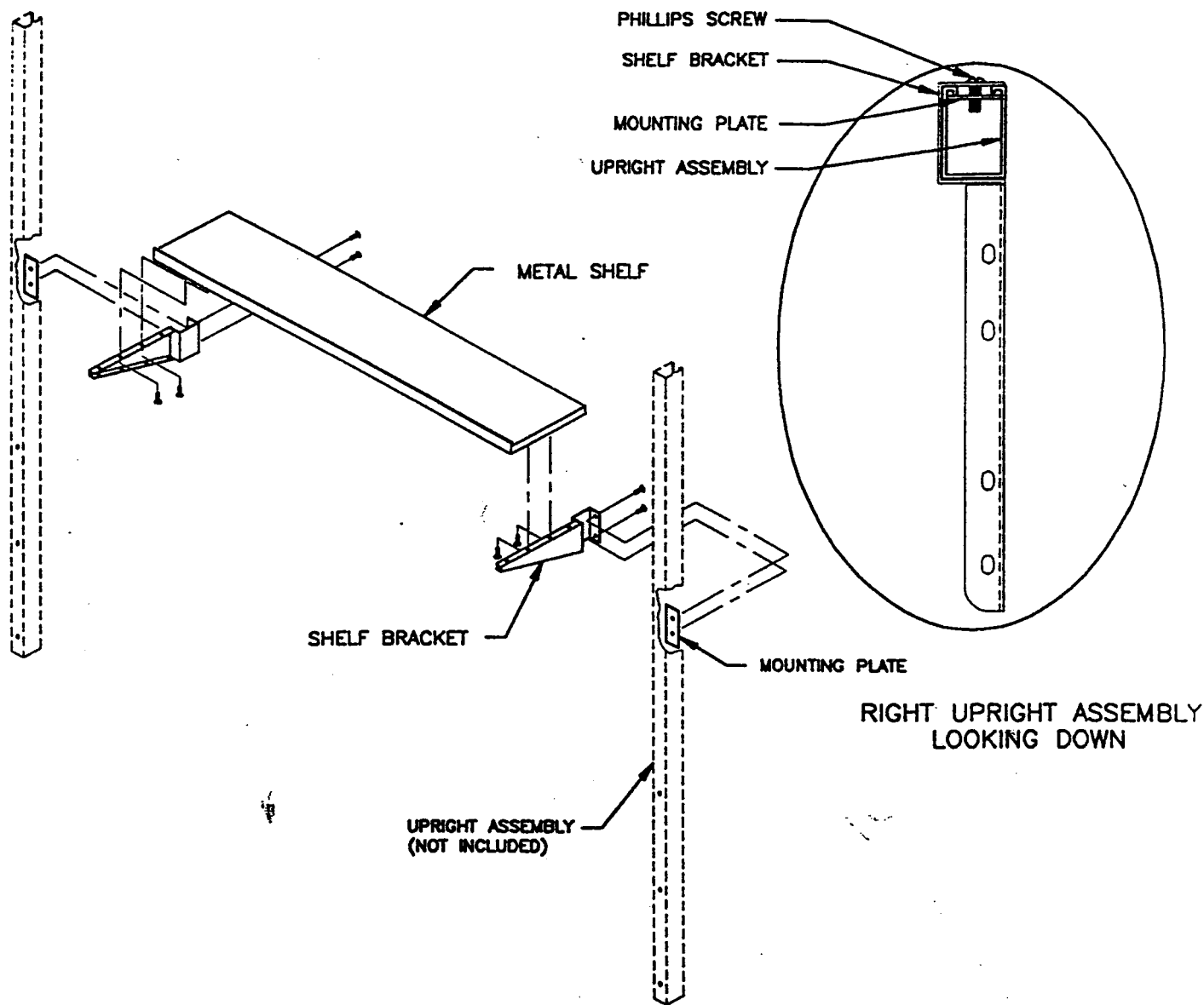
## WIRE SHELF ACCESSORY KIT INCLUDES:

- (1) WIRE SHELF
- (8) SCREW, 1/4-20 x 1/2" PHILLIP HEAD
- (4) NUT 1/4-20
- (2) MOUNTING PLATE
- (2) SHELF BRACKET

## RECOMMENDED TOOLS:

- o PHILLIP SCREWDRIVER
- o 7/16" OPEN END WRENCH

# INSTALLATION INSTRUCTIONS



## ASSEMBLY:

- o NOTE: SHELF MAY BE INSTALLED LEVEL (AS SHOWN) OR AT A SLANT BY TURNING BRACKETS OVER AND MOVING TO THE OPPOSITE SIDE.
- o PLACE MOUNTING PLATE INSIDE CHANNEL OF UPRIGHT ASSEMBLY.
- o ATTACH SHELF BRACKET TO MOUNTING PLATE IN UPRIGHT ASSEMBLY USING PHILLIP HEAD SCREWS.
- o ADJUST BRACKETS TO DESIRED HEIGHT AND TIGHTEN SCREWS. DO NOT OVERTIGHTEN.
- o PLACE SHELF ON SHELF BRACKETS AND ALIGN HOLES. ATTACH SHELF TO BRACKETS WITH PHILLIP HEAD SCREWS.

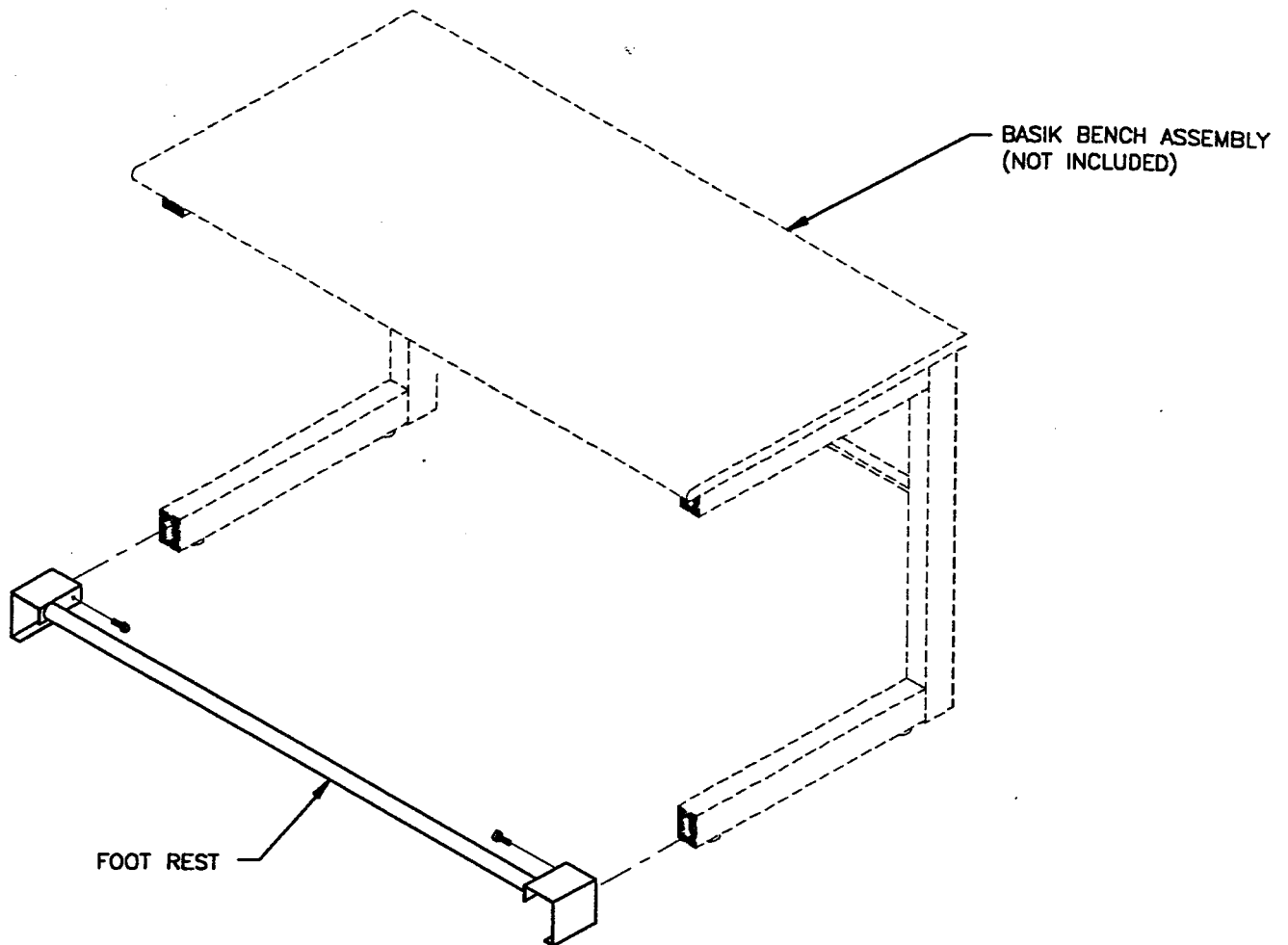
## METAL SHELF ACCESSORY KIT INCLUDES:

- (1) METAL SHELF
- (8) SCREW, 1/4-20 x 1/2" PHILLIP HEAD
- (2) MOUNTING PLATE
- (2) SHELF BRACKET

## RECOMMENDED TOOLS:

- o PHILLIP SCREWDRIVER
- o 7/16" OPEN END WRENCH

# INSTALLATION INSTRUCTIONS



## ASSEMBLY:

- SLIDE FOOT REST OVER LOWER HORIZONTAL LEGS OF BENCH ASSEMBLY. ADJUST TO DESIRED HORIZONTAL POSITION.
- TIGHTEN SOCKET HEX HEAD SCREWS. DO NOT OVERTIGHTEN.

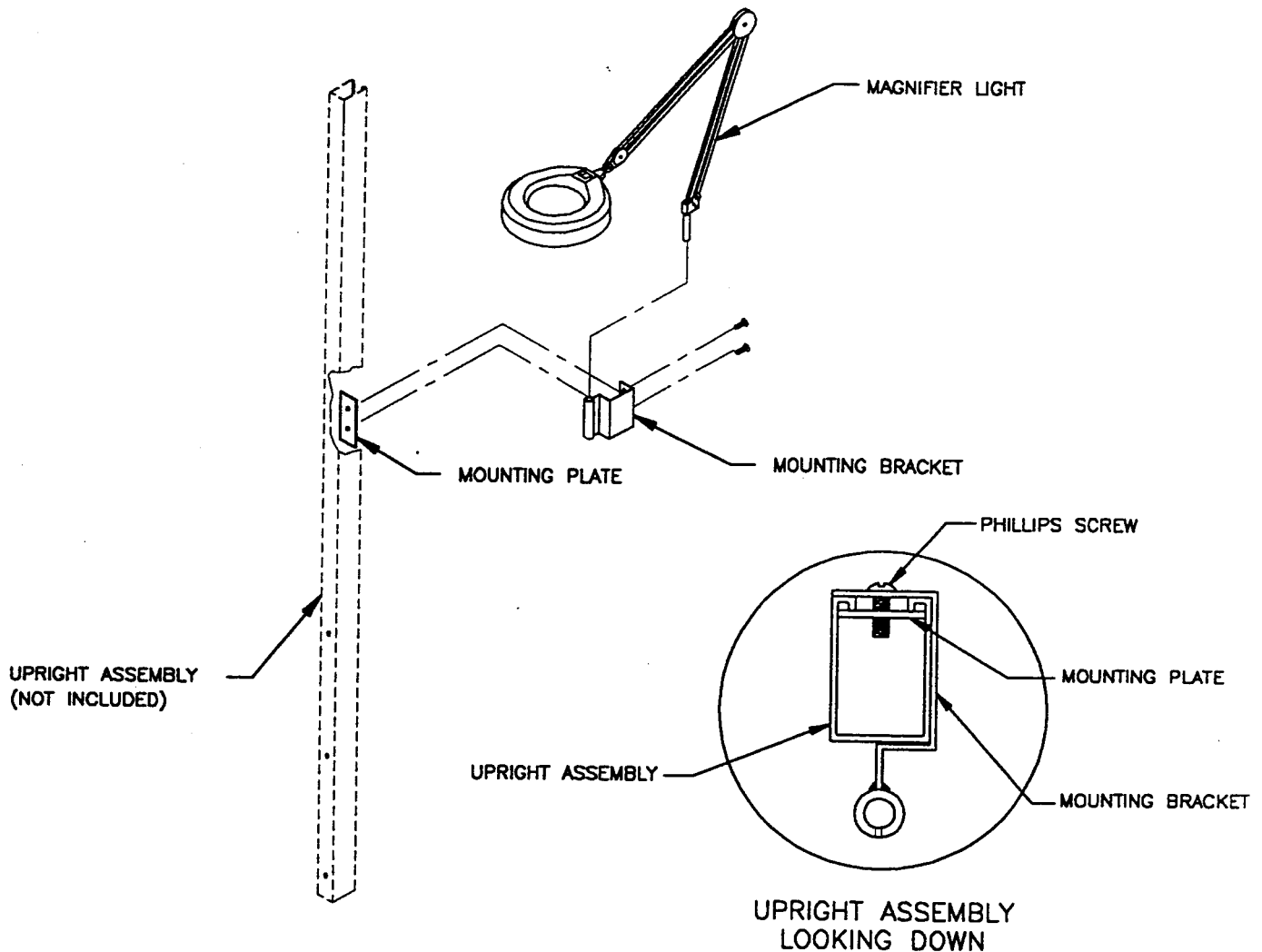
## FOOT REST ASSEMBLY KIT INCLUDES

- (1) FOOT REST ASSEMBLY
- (2) SCREW 1/4-20 X 1/2" SOCKET HEX HEAD

## RECOMMENDED TOOLS:

- 5/32" SOCKET HEX WRENCH

# INSTALLATION INSTRUCTIONS



## ASSEMBLY:

- PLACE MOUNTING PLATE INSIDE CHANNEL OF UPRIGHT ASSEMBLY.
- ATTACH MOUNTING BRACKET TO MOUNTING PLATE IN UPRIGHT ASSEMBLY USING PHILLIP HEAD SCREWS.
- ADJUST BRACKET TO DESIRED HEIGHT AND TIGHTEN SCREWS. DO NOT OVERTIGHTEN.
- INSERT LIGHT INTO BRACKET.

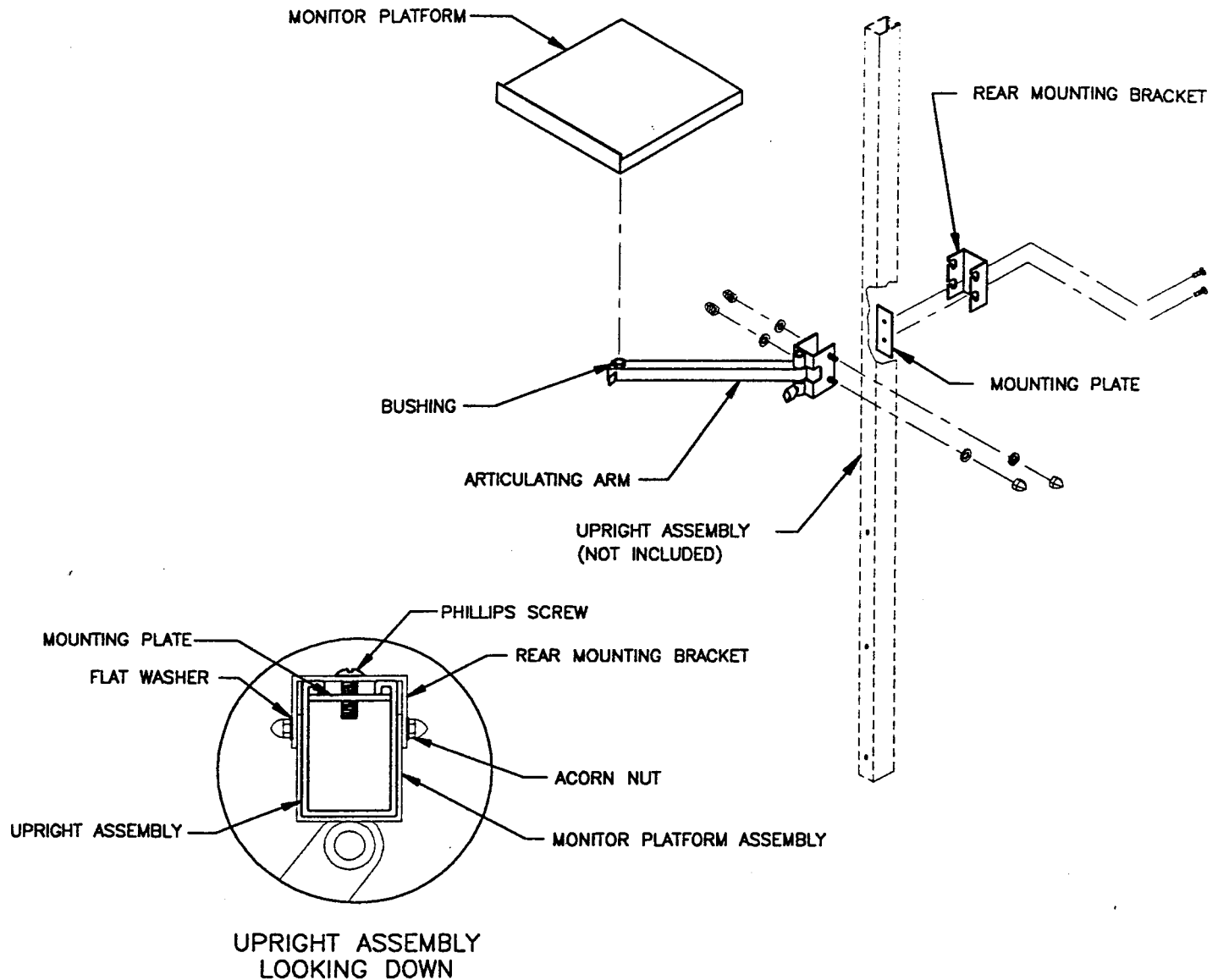
## MAGNIFIER LIGHT ASSEMBLY KIT INCLUDES

- (1) MAGNIFIER LIGHT
- (2) SCREWS, 1/4-20 x 1/2" PHILLIP HEAD
- (1) MOUNTING PLATE
- (1) MOUNTING BRACKET

## RECOMMENDED TOOLS:

- PHILLIP SCREWDRIVER

# INSTALLATION INSTRUCTIONS



## ASSEMBLY:

- o PLACE MOUNTING PLATE INSIDE CHANNEL OF UPRIGHT ASSEMBLY.
- o ATTACH THE REAR MOUNTING BRACKET TO MOUNTING PLATE IN UPRIGHT ASSEMBLY USING PHILLIP HEAD SCREWS.
- o ADJUST BRACKET TO DESIRED HEIGHT AND TIGHTEN SCREWS. DO NOT OVERTIGHTEN.
- o MATE THE MONITOR PLATFORM ASSEMBLY TO THE REAR MOUNTING BRACKET.
- o SCREW NUTS ON THREADED STUDS AND TIGHTEN.
- o INSERT BIN RACK INTO BUSHING AT THE END OF THE ARTICULATING ARM AND TIGHTEN KNOB.

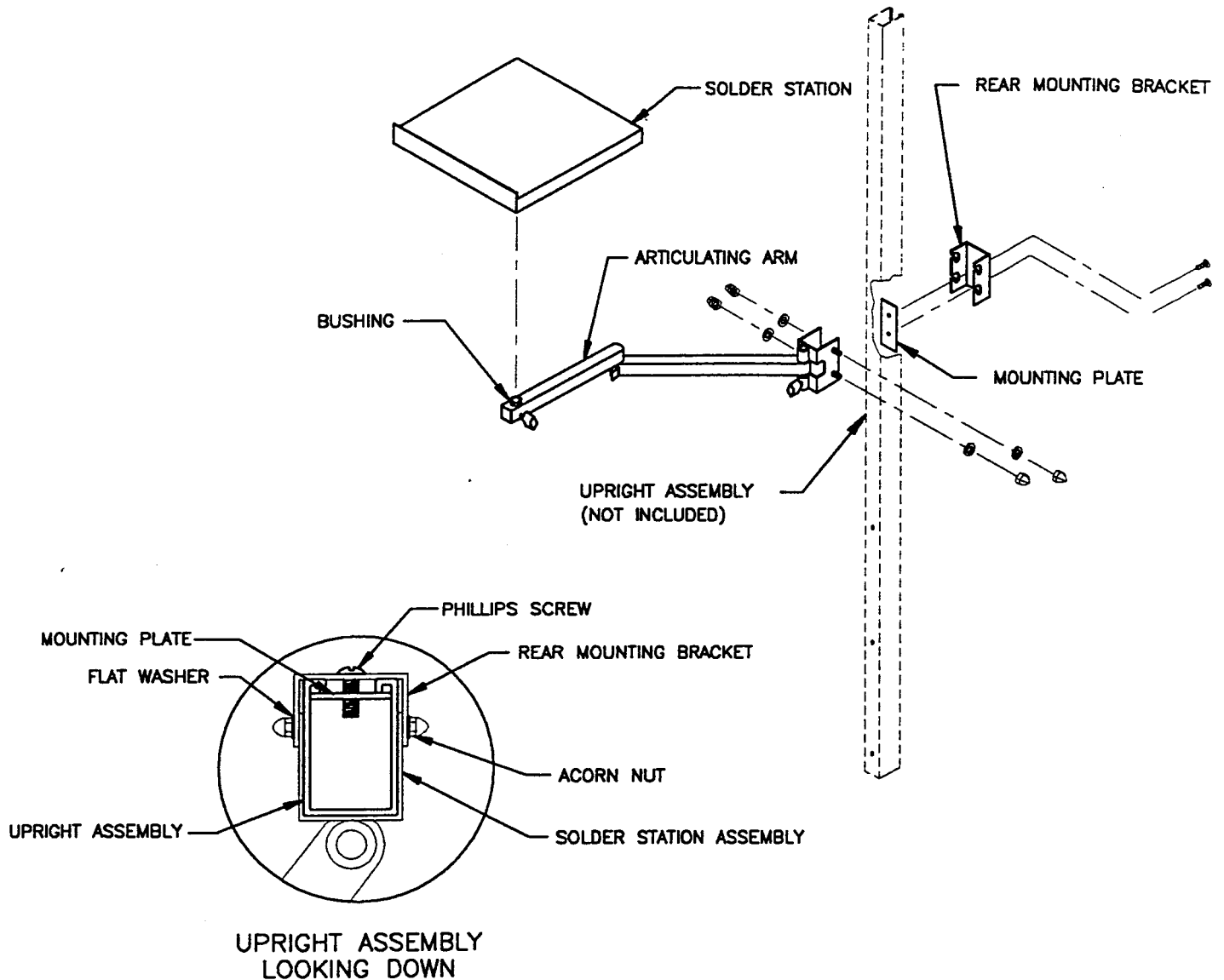
## ARTICULATING MONITOR PLATFORM ASSEMBLY KIT INCLUDES

- (1) ARTICULATING MONITOR PLATFORM ASSEMBLY WITH REAR MOUNTING BRACKET
- (2) SCREWS, 1/4-20 x 1/2" PHILLIP HEAD
- (1) MOUNTING PLATE
- (4) NUT, ACORN-5/16"
- (4) WASHER, FLAT-5/16"

## RECOMMENDED TOOLS:

- o PHILLIP SCREWDRIVER
- o 5/16" OPEN END WRENCH

# INSTALLATION INSTRUCTIONS



## ASSEMBLY:

- PLACE MOUNTING PLATE INSIDE CHANNEL OF UPRIGHT ASSEMBLY.
- ATTACH THE REAR MOUNTING BRACKET TO MOUNTING PLATE IN UPRIGHT ASSEMBLY USING PHILLIP HEAD SCREWS.
- ADJUST BRACKET TO DESIRED HEIGHT AND TIGHTEN SCREWS. DO NOT OVERTIGHTEN.
- MATE THE SOLDER STATION ASSEMBLY TO THE REAR MOUNTING BRACKET.
- SCREW NUTS ON THREADED STUDS AND TIGHTEN.
- INSERT BIN RACK INTO BUSHING AT THE END OF THE ARTICULATING ARM AND TIGHTEN KNOB.

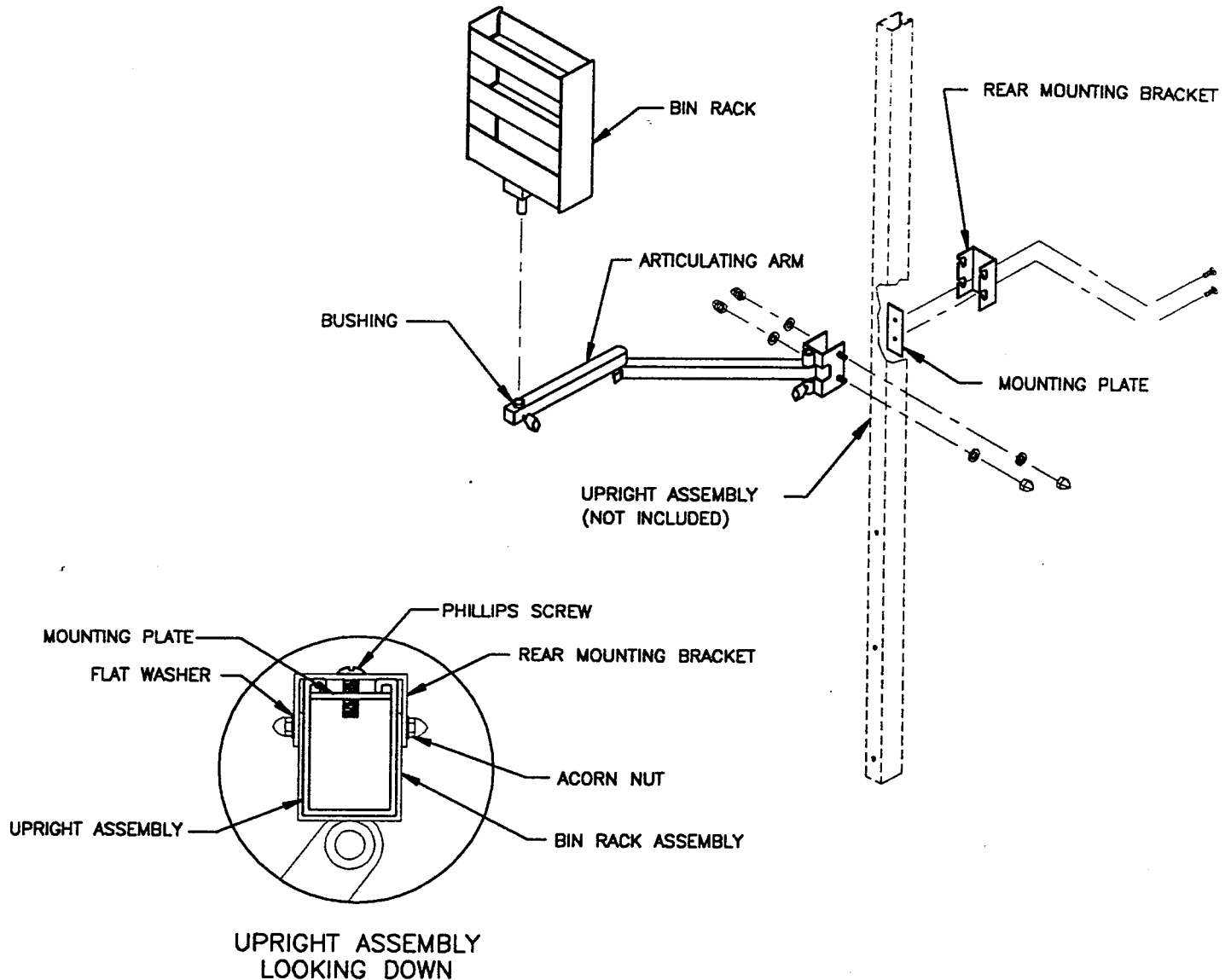
## ARTICULATING SOLDER STATION ASSEMBLY KIT INCLUDES

- (1) ARTICULATING SOLDER STATION ASSEMBLY WITH REAR MOUNTING BRACKET
- (2) SCREWS, 1/4-20 x 1/2" PHILLIP HEAD
- (1) MOUNTING PLATE
- (4) NUT, ACORN-5/16"
- (4) WASHER, FLAT-5/16"

## RECOMMENDED TOOLS:

- PHILLIP SCREWDRIVER
- 5/16" OPEN END WRENCH

# INSTALLATION INSTRUCTIONS



## ASSEMBLY:

- o PLACE MOUNTING PLATE INSIDE CHANNEL OF UPRIGHT ASSEMBLY.
- o ATTACH THE REAR MOUNTING BRACKET TO MOUNTING PLATE IN UPRIGHT ASSEMBLY USING PHILLIP HEAD SCREWS.
- o ADJUST BRACKET TO DESIRED HEIGHT AND TIGHTEN SCREWS. DO NOT OVERTIGHTEN.
- o MATE THE BIN RACK ASSEMBLY TO THE REAR MOUNTING BRACKET.
- o SCREW NUTS ON THREADED STUDS AND TIGHTEN.
- o INSERT BIN RACK INTO BUSHING AT THE END OF THE ARTICULATING ARM AND TIGHTEN KNOB.

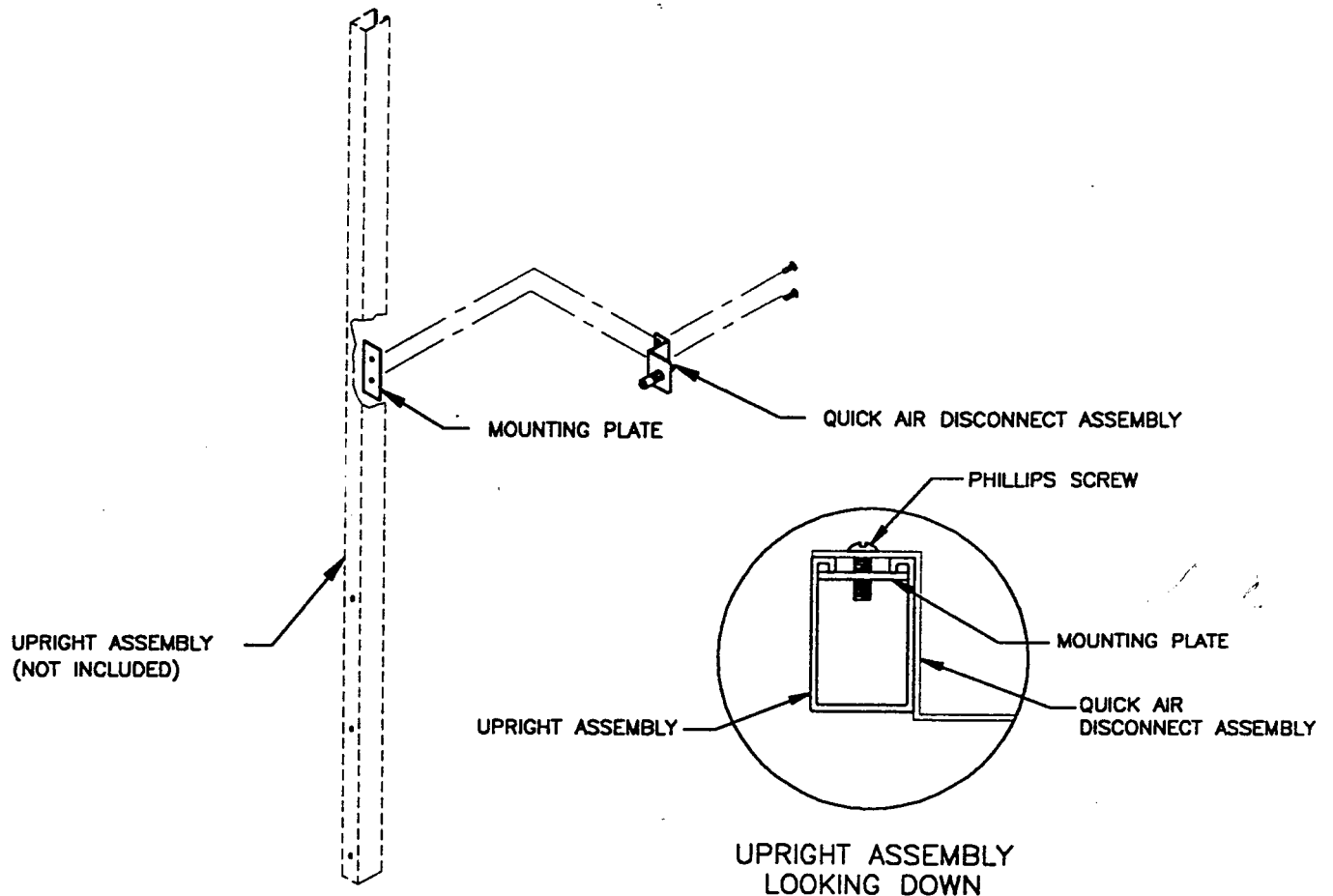
## ARTICULATING BIN RACK ASSEMBLY KIT INCLUDES

- (1) ARTICULATING BIN RACK ASSEMBLY WITH REAR MOUNTING BRACKET
- (2) SCREWS, 1/4-20 x 1/2" PHILLIP HEAD
- (1) MOUNTING PLATE
- (4) NUT, ACORN-5/16"
- (4) WASHER, FLAT-5/16"

## RECOMMENDED TOOLS:

- o PHILLIP SCREWDRIVER
- o 5/16" OPEN END WRENCH

# INSTALLATION INSTRUCTIONS



## ASSEMBLY:

- o PLACE MOUNTING PLATE INSIDE CHANNEL OF UPRIGHT ASSEMBLY.
- o ATTACH QUICK AIR DISCONNECT ASSEMBLY TO MOUNTING PLATE USING PHILLIP SCREWS.
- o ADJUST ASSEMBLY TO DESIRED HEIGHT AND TIGHTEN SCREWS. DO NOT OVERTIGHTEN.

## QUICK AIR DISCONNECT ASSEMBLY KIT INCLUDES

- (1) QUICK AIR DISCONNECT ASSEMBLY
- (2) SCREWS, 1/4-20 x 1/2" PHILLIP HEAD
- (1) MOUNTING PLATE

## RECOMMENDED TOOLS:

- o PHILLIP SCREWDRIVER